

Titan



CONSTRUCTION PTO Driven Heads



6 ABOUT FAE

8 CONSTRUCTION PTO DRIVEN HEADS

10 ADVANTAGES OF FAE MACHINE

12 SOIL STABILIZERS

16 STABI/FRS - STABI/FRS/HP

18 STABI/H - STABI/H/HP

20 TRANSMISSION (STABI/FRS)

22 TRANSMISSION (STABI/H)

26 VARIABLE GEOMETRY CHAMBER
(STABI/H)

28 A/3 ROTOR (STABI/FRS - STABI/H)

30 TEETH - A/3 ROTOR
(STABI/FRS - STABI/H)

32 FRAME (STABI/FRS - STABI/H)

36 WATER SPRAY SYSTEM - HIGH FLOW
(STABI/FRS - STABI/H)

38 FULL CONTROL SYSTEM
(STABI/FRS - STABI/H)

40 MULTITASKS

44 RSL

46 MTL

48 MTM - MTM/HP

50 MTH - MTH/HP

52 TRANSMISSION

54 VARIABLE GEOMETRY CHAMBER
(MTL - MTM - MTH)

56 G/3 - ROTOR
(MTL - MTM - MTH)

58 TEETH - G/3 ROTOR
(MTL - MTM - MTH)

60 R - ROTOR (MTL - MTM - MTH)

62 TEETH - R ROTOR
(MTL - MTM - MTH)

64 FRAME (MTL - MTM - MTH)

68 WATER SPRAY SYSTEM -
BASIC & HIGH FLOW
(RSL - MTL)

70 WATER SPRAY SYSTEM - HIGH FLOW
(MTM - MTH)

72 FULL CONTROL SYSTEM



MAKE THE **DIFFERENCE**

At FAE, every machine, accessory and optional component is designed with utmost precision, the highest quality materials and the most advanced technology.

Each detail is designed to make the execution of the tasks as quick and efficient as possible and for the specific applications, conditions and environment where it will be carried out.

Every FAE machine and accessory was created to make a difference at work and, given the importance of many of the applications we work on, for the planet. This is why each member of our team, each partner and customer works daily.



ABOUT **FAE**

With a range of over 90 products and 400 models, FAE can meet the most diverse demands for forestry, agricultural, road construction, building and demining applications. The FAE product range includes heads for tractors, excavators, skid steer loaders, special vehicles and tracked vehicles, with cabins or remote controlled. FAE was founded in 1989, and the company's main office is still located in Fondo, Italy. Production, sales, after-sales service and parts services are handled by our 4 production sites, the main office, 6 commercial branches and a network of authorized dealers all over the world.

GLOBAL QUALITY

Our precision design and production processes use advanced technologies to ensure long-term performance and reliability.

CONSTANT INNOVATION

We design unique and cutting-edge technologies based on customers' specific needs for solutions that pave the way to the future.

COMPLETE PRODUCT LINE

We guarantee an extensive product range and a high degree of customization to make each process more efficient, more productive, and easier.

TOTAL SUPPORT

We make our vast range of machines, dedicated accessories and components, as well as our technical assistance available worldwide.

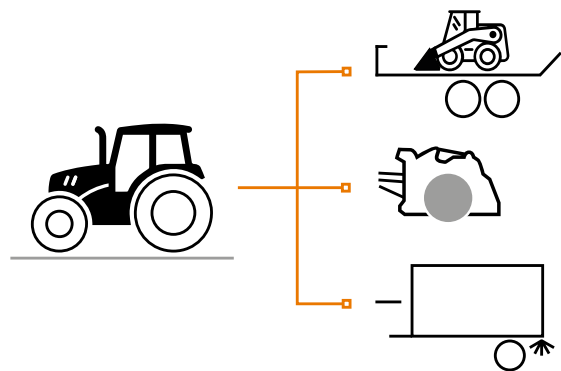
CONSTRUCTION PTO DRIVEN HEADS

Our Construction line of machines brings the very latest technology to the industry. Making your road work easier, even in the most difficult conditions. Our cutting-edge engineering brings you a wide range of efficient attachments that are able to speed up and simplify the main jobs in the development of roads, highways and other infrastructure works.



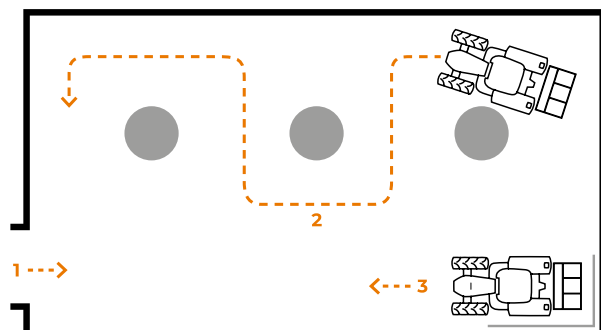
ADVANTAGES OF FAE MACHINES

Our line of construction machines bring the very latest technology to road work, making your job easier, even in the most difficult conditions. Our cutting-edge engineering brings you a range both of versatile and functional machinery that is reliable and efficient. Each machine possesses the ability to speed up and simplify the main jobs in the construction and development of roads, highways and other infrastructure works.



VERSATILE

The tractor, which was just being used to operate other machinery, can be quickly equipped with a construction attachment.



MANEUVERABLE

- 1 / Use in areas with limited access
- 2 / Easy to use even in the presence of obstacles
- 3 / Perfect performance around curves and hard-to-access areas



DYNAMIC

Moving from one site to another its easy and fast.



PROFESSIONAL WATER SYSTEM

This option allows to set the quantity of water to be injected directly from tractor cab, according to the working depth and forward speed.

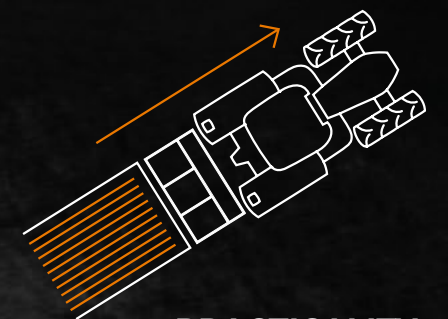
(Only available on certain models.)



VARIABLE GEOMETRY CHAMBER

The result is a homogeneously stabilized soil at all working depths.

(Only available on certain models.)



PRACTICALITY

Quality final product, including mixing ability and final grade of the ground. The rear mounting allows tractor not to pass over the freshly milled ground.

® PATENTED TECHNOLOGY

Thanks to a patented system of cutting-edge tools and tool holders, you will always find the solution that suits your needs best.



SOIL STABILIZERS

Thanks to the design of the chamber and a variety of teeth available, our FAE stabilizer is capable of producing both refined and mixed cement even when rocks are present.



STABI/FRS - STABI/FRS/HP

The essence of stabilization.



STABI/H - STABI/H/HP

Stabilization without compromise.



THE IDEAL SOLUTIONS FOR ULTIMATE PRODUCTIVITY IN SOIL STABILIZATION.

| MODEL | 300 - 400 hp | 400 - 500 hp |
|---|--------------|--------------|
| STABI/FRS STABI/FRS/HP | 300 - 500 hp | |
| STABI/H STABI/H/HP | 300 - 500 hp | |

SOIL STABILIZERS

STABI/FRS - STABI/FRS/HP

The essential tool for stabilization.

The STABI/FRS for tractors from 300 to 500 hp is the definition of the perfect stabilizer. With a fixed-rotor system and high productivity, it is stable and strong, even on very hard ground with stones. The STABI/FRS can be used on small work sites as well as for major infrastructural work, such as on highways, parking lots

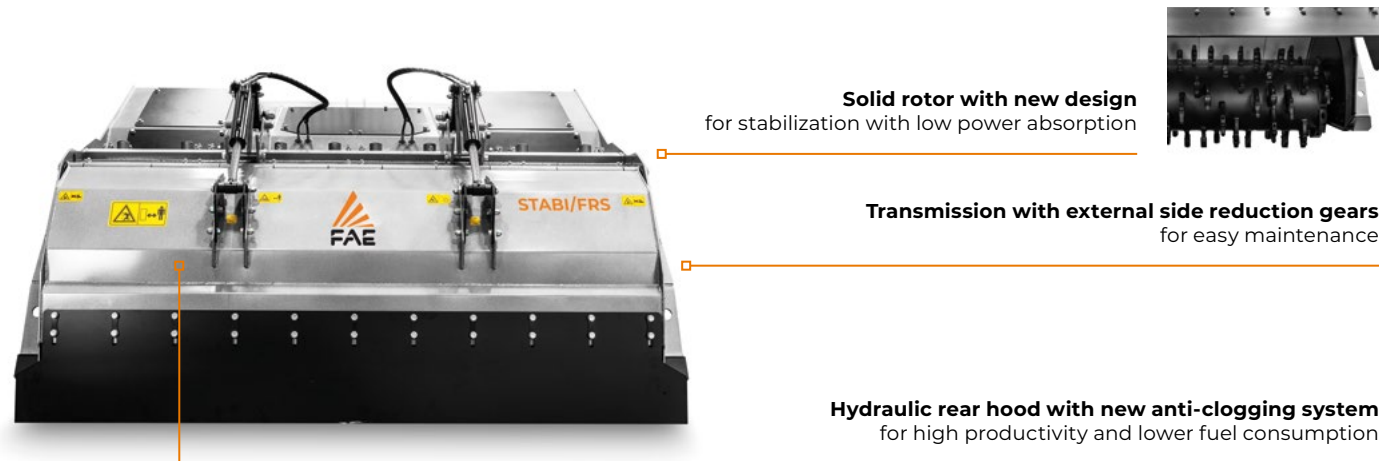
and airports. The protruding rotor facilitates stabilization at depth with minimal power absorption. The crushing chamber makes it possible to work the ground to a depth of 50 cm, ensuring an excellent mixing quality. The solid frame and use of wear-resistant materials provide excellent reliability over time.



300-500 hp



Depth 50 cm max



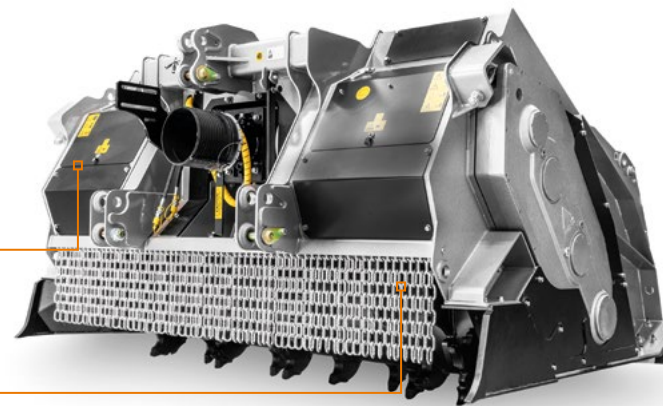
Solid rotor with new design for stabilization with low power absorption



Transmission with external side reduction gears for easy maintenance

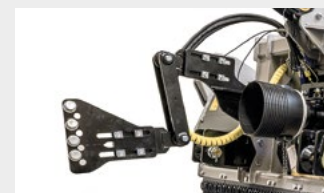
Hydraulic rear hood with new anti-clogging system for high productivity and lower fuel consumption

Oil cooling system for gearbox and side reduction gears (STABI/FRS/HP)



Interchangeable Hardox® internal and side guards

MAIN OPTIONS



W style self-aligning device between PTO drive shaft/gearbox allows the mulcher to work in several angles without damaging the PTO



Automatic FCS system for optimal soil mixing and moisture management



Dozing blade with springs system to level and compact the crushed material, creating a uniform base

STANDARD EQUIPMENT

| | |
|---|--|
| Hydraulic rear Hood with anti-clogging system | Gearbox with freewheel |
| Interchangeable inner antiwear plates in Hardox® | Gearbox with oil cooling system (STABI/FRS/HP) |
| Enclosed machine body | PTO shaft |
| Inside lateral protection | Friction clutches |
| Protection chains | Bolted-on rotor shafts (in forged steel) |
| Transmission with side gearbox | Dozing blade |
| Side gearbox with oil cooling system (STABI/FRS/HP) | |

OPTIONS

| | |
|--|----------------------------------|
| Multiple tooth options | Dozing blades with spring system |
| Hydraulic top link | Water spray system WSS High Flow |
| W style self-aligning device between PTO drive shaft/gearbox | FCS full control system |

| MODEL | STABI/FRS 225 | STABI/FRS 250 | STABI/FRS/HP 225 | STABI/FRS/HP 250 |
|---|---------------|---------------|------------------|------------------|
| Tractor (hp) | 300-400 | 300-400 | 400-500 | 400-500 |
| PTO (rpm) | 1000 | 1000 | 1000 | 1000 |
| Working width (mm) | 2320 | 2560 | 2320 | 2560 |
| Total width (mm) | 2750 | 2990 | 2750 | 2990 |
| Weight (Kg) | 6300 | 6500 | 6550 | 6750 |
| Rotor diameter (mm) | 1085 | 1085 | 1085 | 1085 |
| Max working depth (mm) | 500 | 500 | 500 | 500 |
| No. teeth type A/3 + STC/FP + STC/3/FP + F/3/SS/DX + F/3/SS/SX | 64+4+4+2+2 | 68+4+4+2+2 | 64+4+4+2+2 | 68+4+4+2+2 |

Data refers to machine as standard. The technical data in this catalogue may be altered without prior notice.

ROTOR TYPE A



A/3
(standard)



A/3/HD
(option)



F/3
(option)



F/3 R 44-42
(option)



STC/FP
(side scraper)



STC/3/FP
(side scraper)



F/3/SS
(side scraper)

SOIL STABILIZERS

STABI/H - STABI/H/HP

Stabilization without compromise.

The STABI/H for tractors from 300 to 500 hp is the latest-generation stabilizer with variable-geometry crushing chamber. The STABI/H is designed to prepare ground for building roads, highways, railroads, parking lots, sports complexes, office parks, industrial plants, and other infrastructure. The robust design and the

new FAE tooth holder ensures high performance in all working conditions on hard and compacted ground, even where there are stones. The variable-geometry chamber and transmission built into the rotor enable earthworking with extreme precision and high quality, up to 56 cm deep.



300-500 hp



Depth 56 cm max



Variable displacement chamber



Variable geometry chamber
for precise earthworking and to obtain an optimized mixture

Hydraulic rear hood with new anti-clogging system
for high productivity and lower fuel consumption



Solid mobile rotor with new design
for stabilization with low power absorption

Cogged belt transmission with integrated reduction gear assembly



Oil cooling system for gearbox
(STABI/H/HP)



Interchangeable Hardox® internal and side guards



MAIN OPTIONS



Wide range of special teeth, screwed on with plates in wear-resistant Widia®, which are interchangeable and suitable for a variety of applications



Automatic FCS system for optimal soil mixing and moisture management



Dozing blade with springs system to level and compact the crushed material, creating a uniform base

STANDARD EQUIPMENT

| | |
|--|--|
| Hydraulic rear Hood with anti-clogging system | Side gearbox with oil cooling system |
| Interchangeable inner antiwear plates in Hardox® | Gearbox with freewheel |
| Enclosed machine body | Gearbox with oil cooling system (STABI/H/HP) |
| Variable displacement chamber | PTO shaft |
| Inside lateral protection | Friction clutches |
| Bolted on protection chains | Bolted-on rotor shafts (in forged steel) |
| Poly-Chain® belts transmission | Adjustable skids |
| Transmission with side gearbox | Dozing blade |

OPTIONS

| | |
|----------------------------------|----------------------------------|
| Multiple tooth options | Water spray system WSS High Flow |
| Hydraulic top link | FCS full control system |
| Dozing blades with spring system | |

| MODEL | STABI/H 225 | STABI/H 250 | STABI/H/HP 225 | STABI/H/HP 250 |
|--|-------------|-------------|----------------|----------------|
| Tractor (hp) | 300-400 | 300-400 | 350-500 | 400-500 |
| PTO (rpm) | 1000 | 1000 | 1000 | 1000 |
| Working width (mm) | 2293 | 2533 | 2293 | 2533 |
| Total width (mm) | 2670 | 2910 | 2670 | 2910 |
| Weight (Kg) | 6980 | 7180 | 7100 | 7300 |
| Rotor diameter (mm) | 1120 | 1120 | 1120 | 1120 |
| Working depth (mm)(Max. 1 - Max. 2) | 165-560 | 165-560 | 165-560 | 165-560 |
| No. teeth type A/3+STC/3/SS+STC/3 | 64+8+4 | 72+8+4 | 64+8+4 | 72+8+4 |

Data refers to machine as standard. The technical data in this catalogue may be altered without prior notice.
Max. 1: with rotor only **Max. 2:** maximum depth (maximum working depth depending on ground conditions).

ROTOR TYPE A



A/3
(standard)



A/3/HD
(option)



F/3
(option)



F/3 R 44-42
(option)



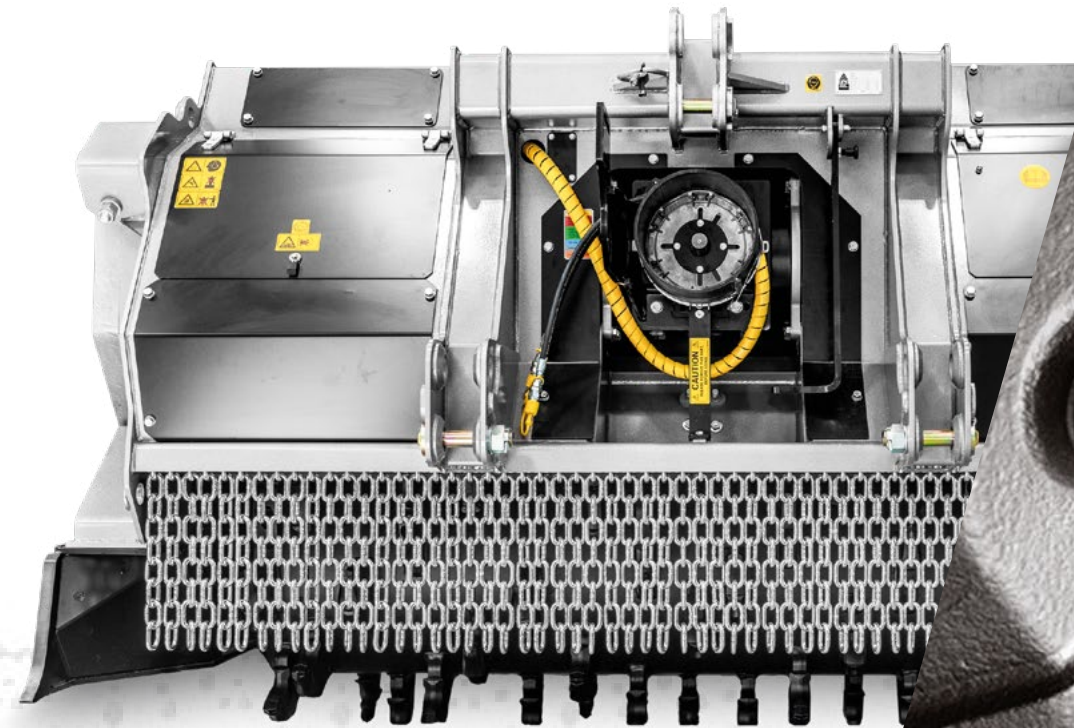
STC/3/SS
(side scraper)



STC/3
(side scraper)

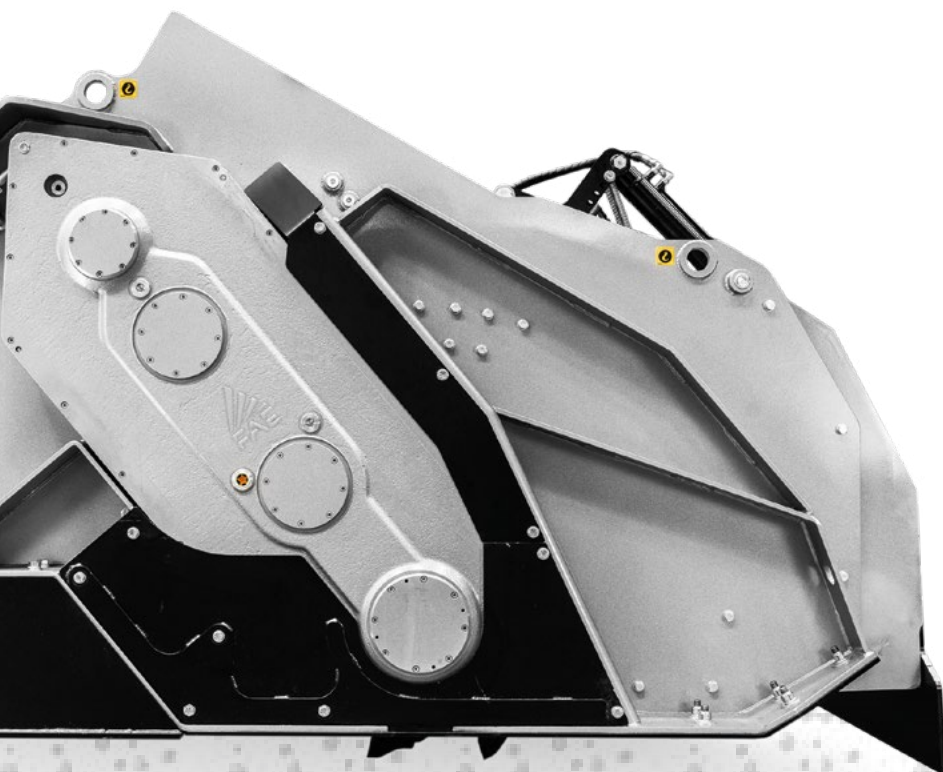
CAST IRON HELICAL GEAR BOXES

Designed to create the least possible obstruction to penetration into the soil, the gear box is easily removable. It is secured by an oscillating system and independently supported by frame and rotor, thus it does not undergo stress from the frame and therefore, possible deformation.



DUAL LATERAL GEARBOX TRANSMISSION

The dual lateral gearbox transmission perfectly transforms engine power into grinding power. Compared to a belt driven transmission, the gearbox transmission offers important advantages such as: 1) greater transmission torque, 2) less tool wear because of lower rotor rotation speeds, 3) more effective ground penetration due to smaller size.



GEAR REDUCTION SYSTEM

The single and dual gear reduction system, depending on the model, requires no forced hydraulic fluid cooling under most working conditions. This component's high heat tolerance is a significant feature as it avoids the need for high maintenance parts such as oil coolers and pumps.

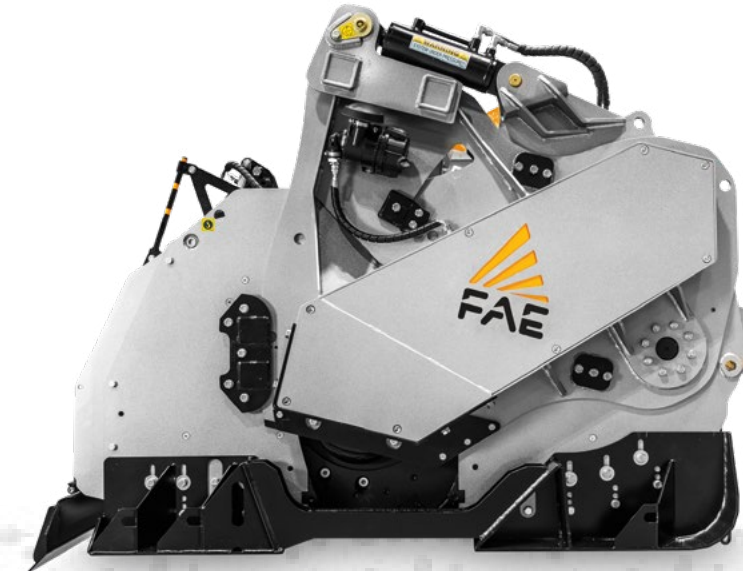
GEARBOX WITH DUAL LATERAL TRANSMISSION



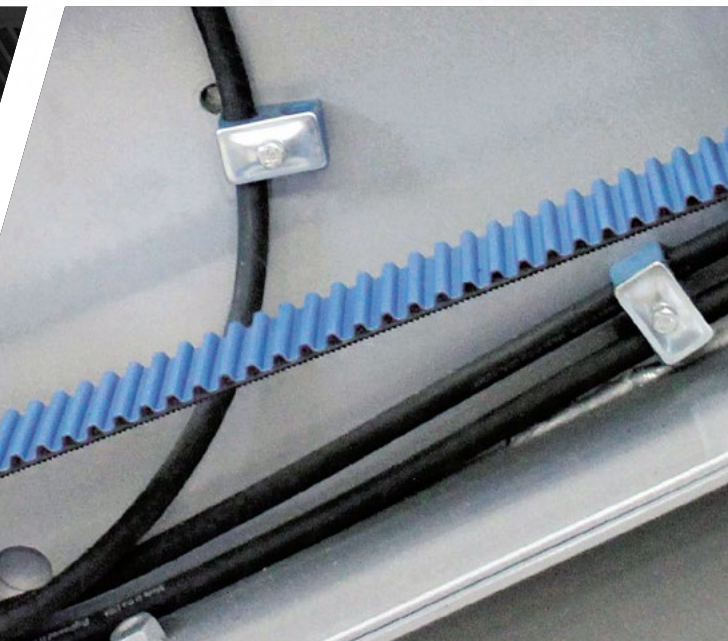
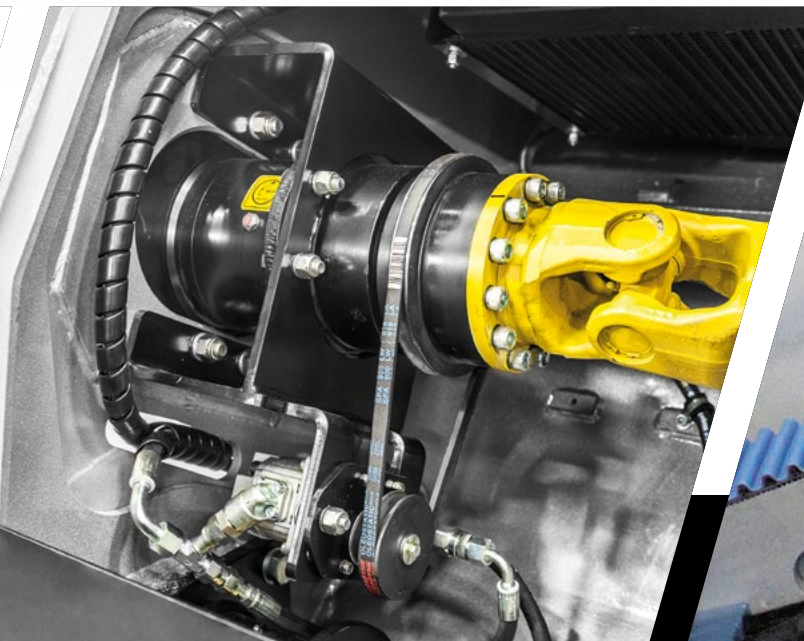
The dual lateral gearbox transmission with polychain belt, together with a rotor-integrated transmission (available only for STABI/H model) excellently transforms the tractor power into cutting power.

MECHANICAL TRANSMISSION WITH POLYCHAIN BELTS

The dual transmission transforms the power of the engine into high-performance grinding and mixing capability. Since the rotor is independent, the side transmission housings stay above ground during operations.



This dual transmission transforms tractor power into cutting power for productivity at maximum levels with minimal maintenance.



FRICTION CLUTCH

LIQUID COOLED CENTRAL GEARBOX

Only for 500 HP versions.

EXTENSION SHAFT

Designed to transfer the PTO power to the belt driven gear box.

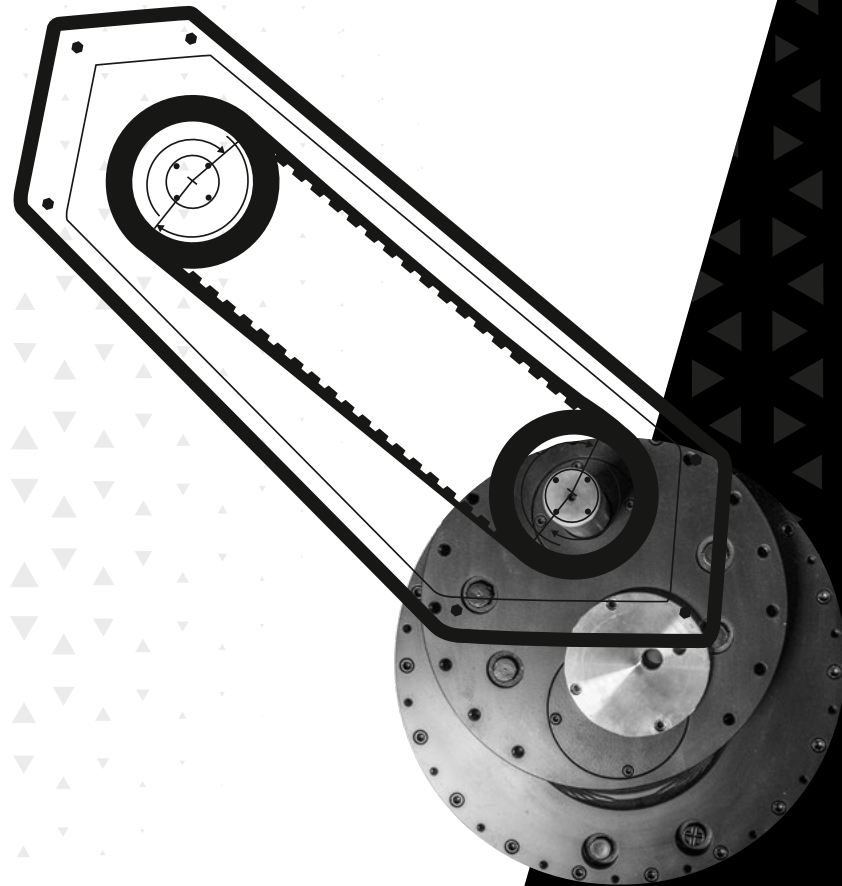
POLYCHAIN BELTS

There is a polychain belt transmission with carbon reinforcements on each side of the rotor.

POWER IS TRANSFORMED INTO PRODUCTIVITY

The dual side combined transmission Polychain belts & Integrated gearboxes is the real base of multiple technology and productivity advantages.

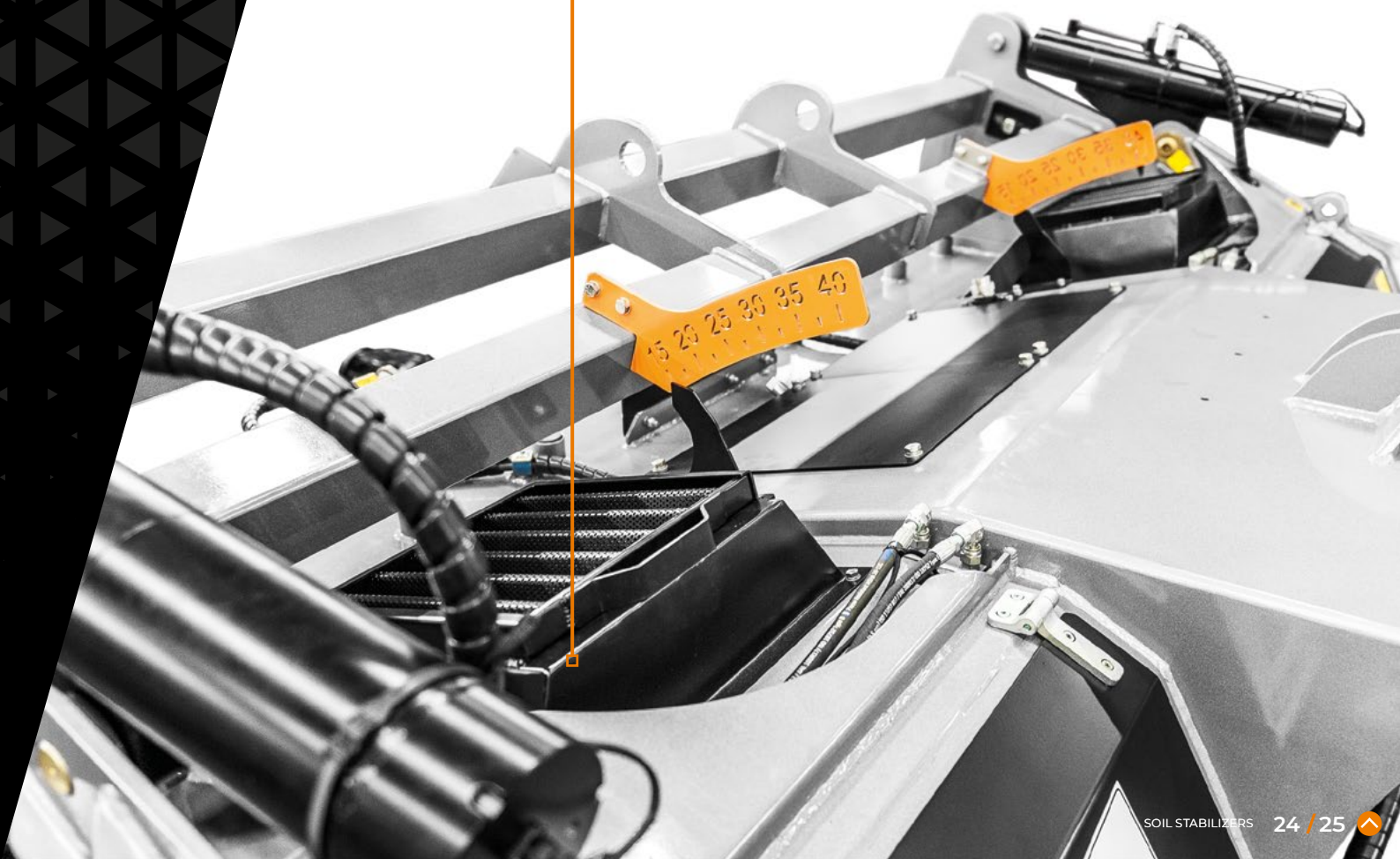
- Efficient and reliable technology to transmit tractor engine power into working power
- Lower rotor speed get by the Integrated gearboxes that ensure a less teeth wear
- Cast iron made side Integrated gearboxes designed by FAE keeping so high quality standard levels in terms of technology and manufacturing process
- Integrated gearboxes bolt-on integrated into the rotor with offset shafts layout able to provide and extended rotor protrusion and ensure a more effective working depth Detail that permits an optimal side transmission layout keeping the belts side covers over the soil level in any working condition, allow an easier soil penetration with reflex on lower power absorption.
- Integrated gearboxes made by heavy duty and oversized components or applications under high torque and high loads working conditions
- Integrated gearboxes with additional oil cooling system for an improved reliability and efficiency in all working condition. Sensors ensure an increased reliability
- Polychain belts with carbon reinforcements can for extraordinary loads absorption, maintenance-free, heavy-duty strength and durability



COOLING SYSTEM

To guarantee the perfect operation of the machine, even in extreme conditions, we have developed a cooling system for the inner gearbox.

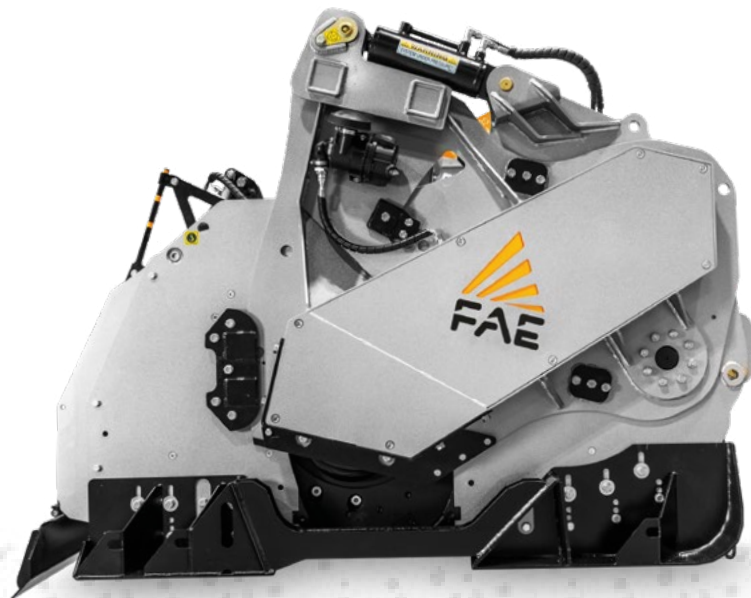
A fan pushes clean air from the outside to the inside. This helps to lower working temperatures and reduces maintenance as a result. The radiator, which is protected by a metal filter, keeps things cool no matter the conditions.



VARIABLE GEOMETRY MIXING CHAMBER

This technical solution is unique in the industry and is found on the STABI/H models. The variable geometry chamber enables ground penetration with just the rotor, which may be adjusted from the tractor cab. The volume of the mixing chamber, where the material is blended, is variable for the deeper the work, the larger the volume of the chamber. Compared with machines that sink into the ground with their entire frame, the variable geometry mixing chamber reduces traction forces, lowers fuel consumption, speeds operations and saves time.

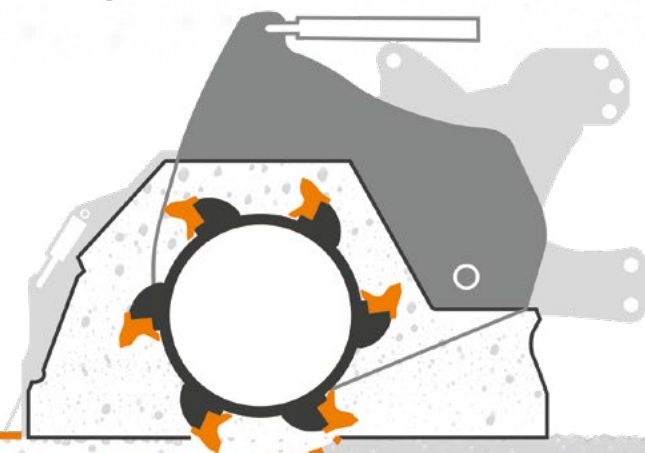
LOWER SIDE PROTECTION GUARANTEES RELIABILITY EVEN AT MAXIMUM WORKING DEPTH



- Guaranteed mixing quality of the material in any situation
- Increased operating speeds and greater time savings
- Reduced traction forces and fuel consumption
- Depth gauge to monitor and achieve proper depth
- Easily visible from the cab, for precise, efficient depth adjustment

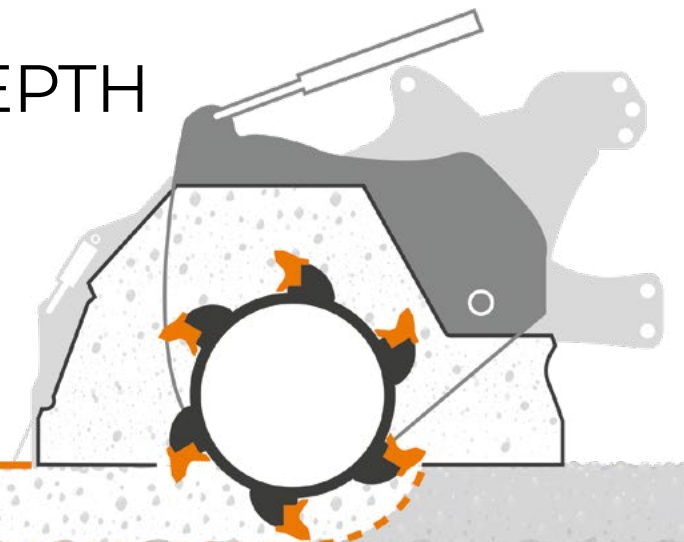
DEPTH IS ADJUSTED USING 2 CYLINDERS

STABI/H: 165 mm*
*with rotor type A/3



SPECIALLY DESIGNED TO ACHIEVE A CONSISTENT DEPTH

STABI/H: 405 mm*
*with rotor type A/3

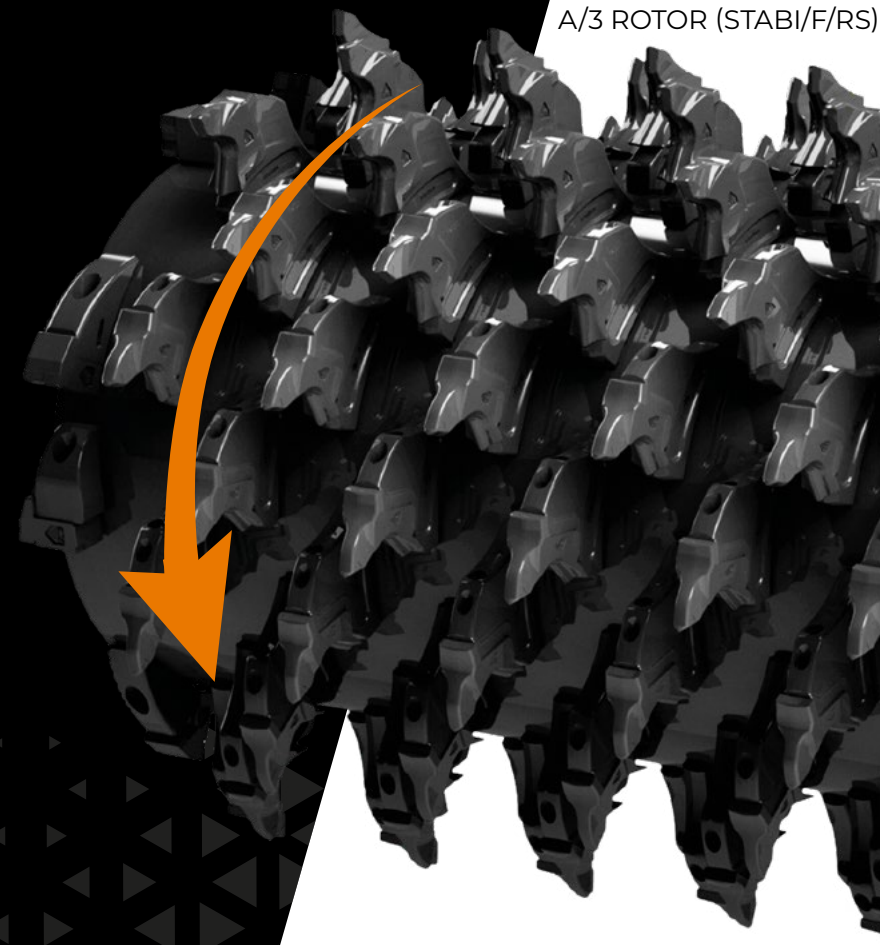


EVEN MATERIAL DISTRIBUTION AND MIXING, EVEN FOR THE MOST DIFFICULT SOIL TYPES

THE ROTOR

The core of FAE technology is the rotor, which mixes the ground and evenly mixes lime or cement spread over the area to be stabilized. The special set up of the tools ensures even distribution of the forces over it's the rotor's entire width, limits stress to the structure, reduces power absorption, and enables uniform distribution of the output materials. The rotor is equipped with different types of tools depending on the application.

A/3 ROTOR (STABI/F/RS)



A/3 ROTOR (STABI/H)



A/3 ROTOR (STABI/F/RS)



A/3 ROTOR (STABI/H)

A/3 ROTOR (STABI/F/RS)



A/3 ROTOR (STABI/H)

The **rotor hubs** are interchangeable and made of forged steel for excellent resistance to mechanical stress.

Guards with easily replaceable parts.

The ends of the rotor as well as the outside tooth holders have been equipped with **wear plates** to protect them from excessive wear and tear.

A **labyrinth ring system** prevents dust from contaminating the transmission.



YOU CAN BE CONFIDENT OF DURABILITY

Our teeth and tooth holders are the result of intensive research and development. The tooth holders are all made of forged steel, and welded to the rotor automatically. Tungsten carbide (Widia®) inserts offer hardness with limited wear and tear. The special design of FAE teeth guarantees the following advantages:

- 1** MAXIMUM RESISTANCE TO MECHANICAL STRESS
- 2** TOOLS LAST LONGER
- 3** MAXIMUM RELIABILITY AND PERFORMANCE EVEN IN TOUGH TERRAIN
- 4** REDUCED OPERATING COSTS

Thanks to the special design, the teeth use its shape to protect both the rotor and the tooth holder. Improved resistance to mechanical stress and maximum durability are the result of a larger support surface on the rotor.



A/3
(standard)



F/3 R 44
(optional)



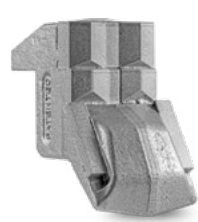
A/3 HD
(optional)



F/3
(optional)



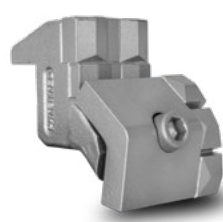
STC/FP
(side scraper)
Standard STABI/FRS



STC/3/FP
(side scraper)
Standard for STABI/FRS



F/3/SS
(side scraper)
Standard for STABI/FRS



STC/3/SS
(side scraper)
Standard for STABI/H



STC/3
(side scraper)
Standard for STABI/H

GROUND STABILIZING

Recommended for stabilization ground free of rocks, and other extreme, or abrasive materials.
teeth type A /3

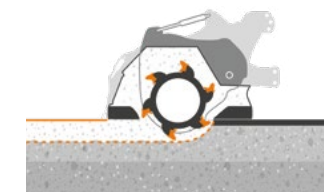
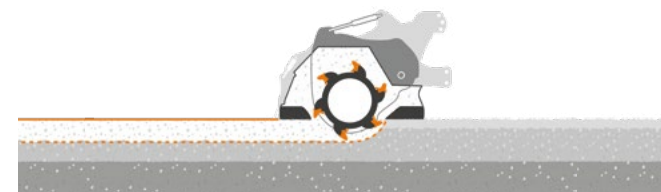
Recommended for penetration of thin asphalt and stabilizing ground free of rocks, and other, extreme, or abrasive materials.
Includes tooth adaptor as well as asphalt bit.
teeth type F/3 R 44

STABILIZE ESPECIALLY ROUGH SOIL

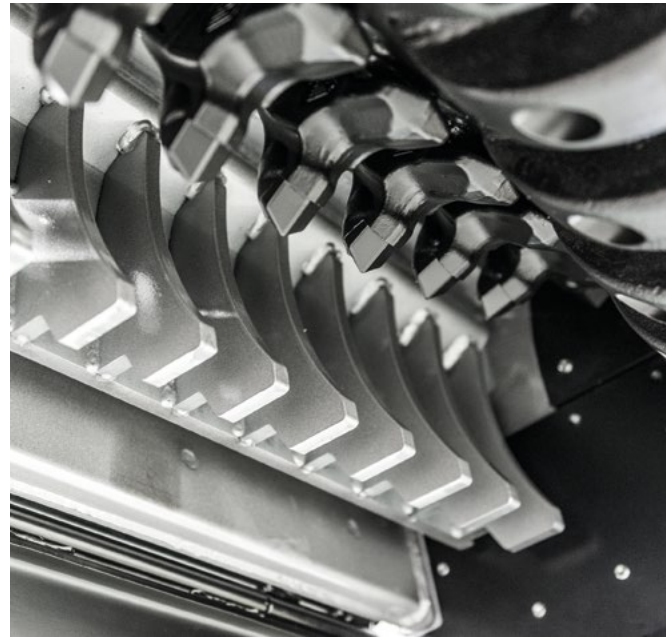
Recommended for penetration of thin asphalt and stabilizing ground free of rocks, and other, extreme, or abrasive materials.
Includes tooth adaptor as well as asphalt bit.
teeth type A/3 HD

ASPHALT GRINDING

Recommended for penetration of thin asphalt and stabilizing ground free of rocks, and other, extreme, or abrasive materials.
Includes tooth adaptor as well as asphalt bit.
teeth type F/3

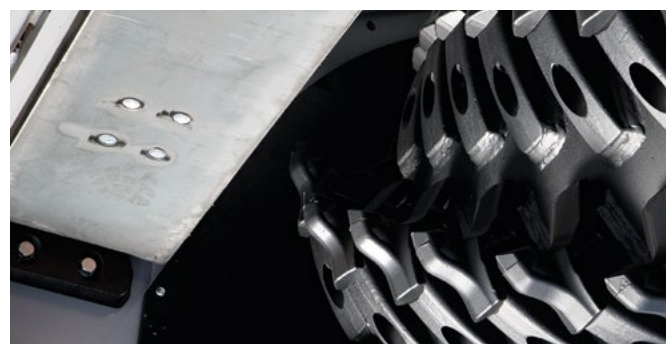


ENDURING THROUGH TIME, DESIGNED FOR EVERY NEED



REAR GRID

The grid on the rear door helps define the size of the output material. Its use is advantageous in wet working conditions and with clay-based soil. The grid enables the rear door to remain more open so that the soil can flow out without losing the mixing quality.



HARDOX® SECTIONAL WEAR PLATES

Internal Hardox® guards against wear and tear. The sectional plates are easy to replace without having to remove the rotor.

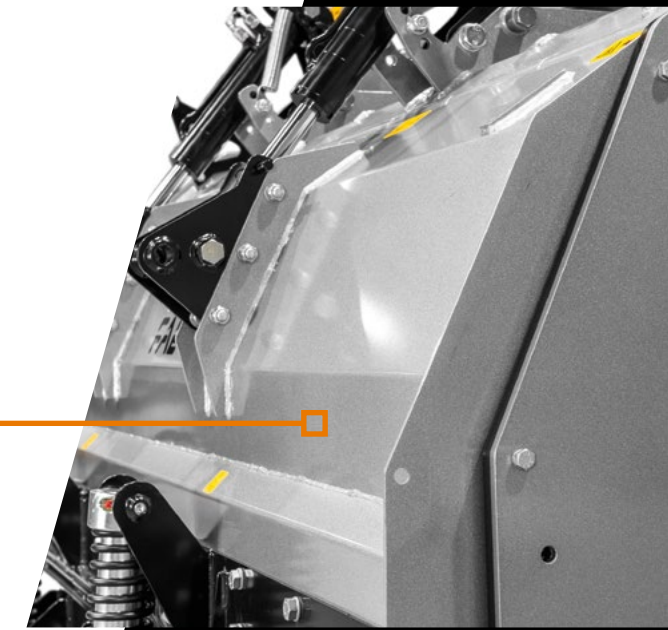


SIDE WEAR PLATES

On the inner side of the frame are easily replaceable without having to remove the rotor, while ensuring excellent resistance to wear and reduce replacement intervals.

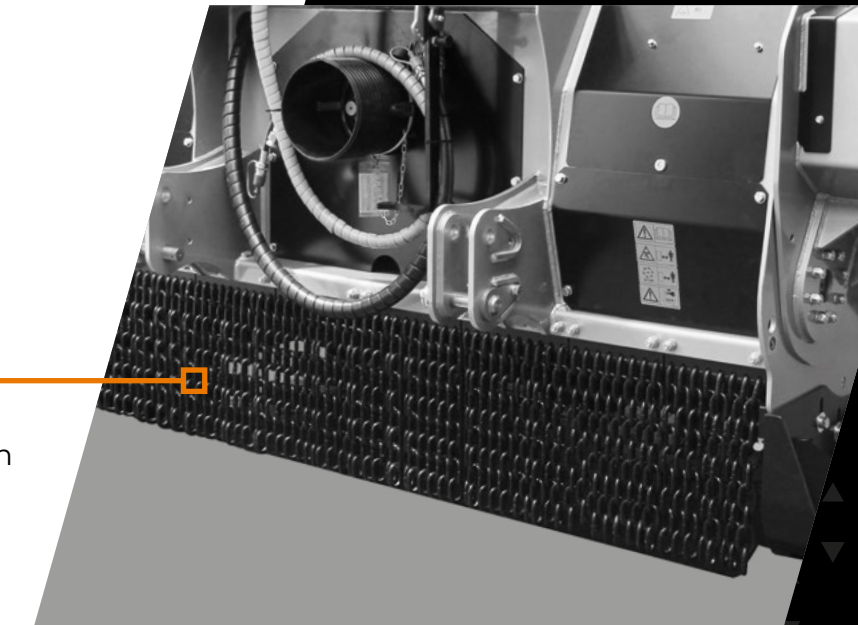
REAR HYDRAULIC DOOR

Designed especially with hydraulic adjustments to control the amount of outgoing material.



OPENING FOR MATERIAL

The wide opening is designed specifically to work at extensive depths. The protection chains reduce stone projectiles and dust - a simple and effective solution.



INSPECTION DOOR WITH KEY CLOSURE

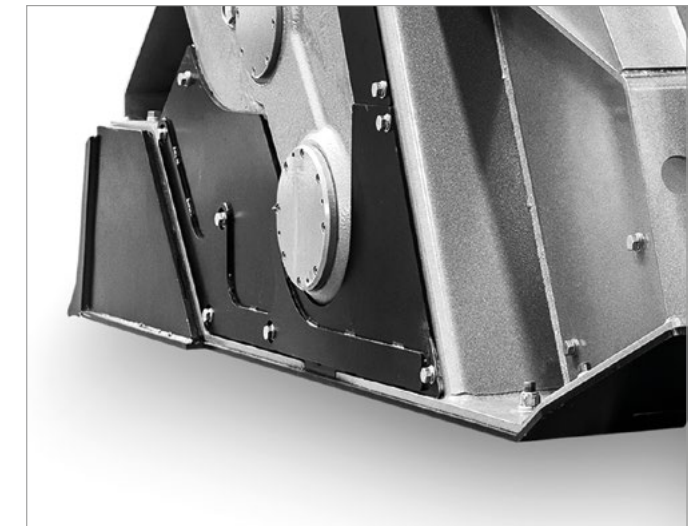
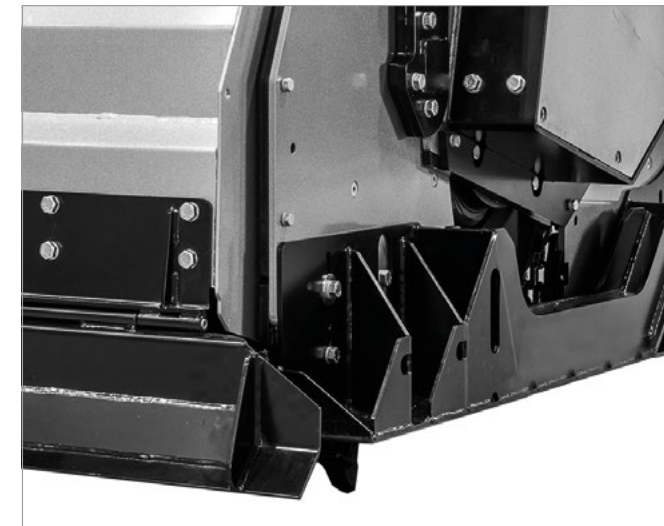
The special design of the hatches ensures easy maintenance operations. The key closure, specially designed with an incorporated dust screen, allows the quick opening of both hatches in any situation.



FOR TOP LEVEL PERFORMANCE THE DIFFERENCE IS IN THE DETAILS

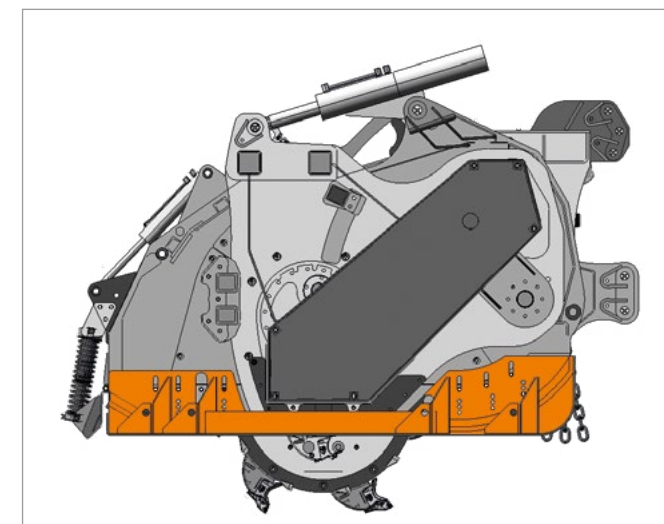
SPRING LOADED LEVELING BLADE

The spring loaded leveling blade produces an even final product as a result of its engineering and design.

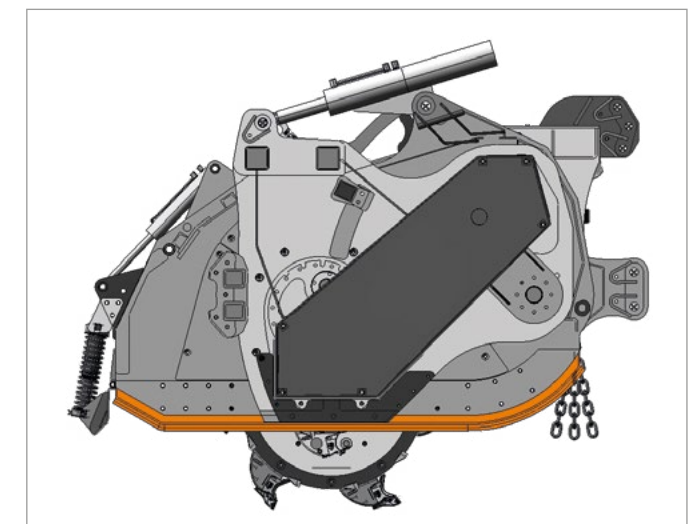


- 1. **ADJUSTABLE, INTERCHANGEABLE SKIDS WITH WEAR-RESISTANT SKIDS PLATES + PENETRATION SKIDS** (STABI/H and STABI/H/HP)
- 2. **SKIDS + LONG-WEARING, INTERCHANGEABLE SKIDS PLATES** (STABI/FRS and STABI/FRS/HP)

This option provides maximum operating stability, allowing the machine to “float” on the ground. The adjustable model lets you adjust the blade height to meet the specific needs of the application. Easily removable, they have wear-resistant Hardox blades made for working at depth. If only used without the skids, the penetration blades welded to protect the frame from wear and tear make it easier for the machine to penetrate the ground and can reach up to 60 cm deep.



The skid can be easily detached and protects the frame against wear and tear.



The penetration skid extends the working depth and also protects the frame.

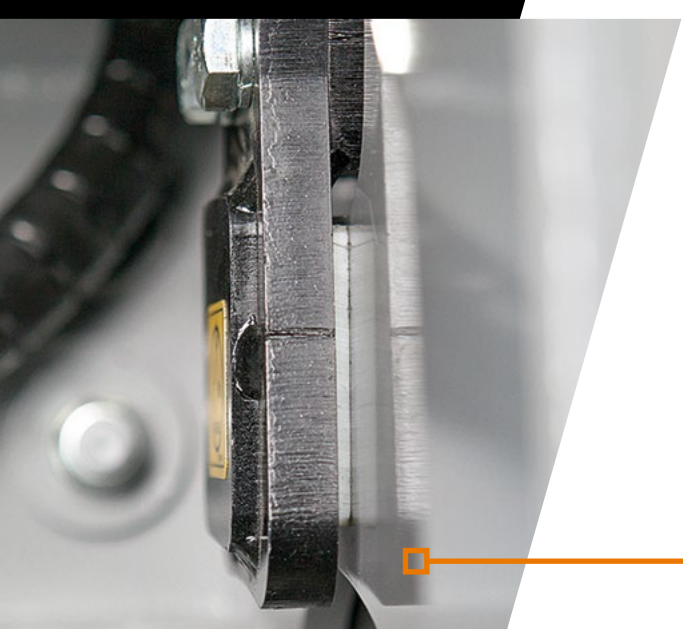
STRUCTURAL PLATES WELDOX®

To ensure high strength and easy handling.



TEFLON INSERTS

(only for STABI/H) Easily replaceable, they ensure that the two frames slide easily.

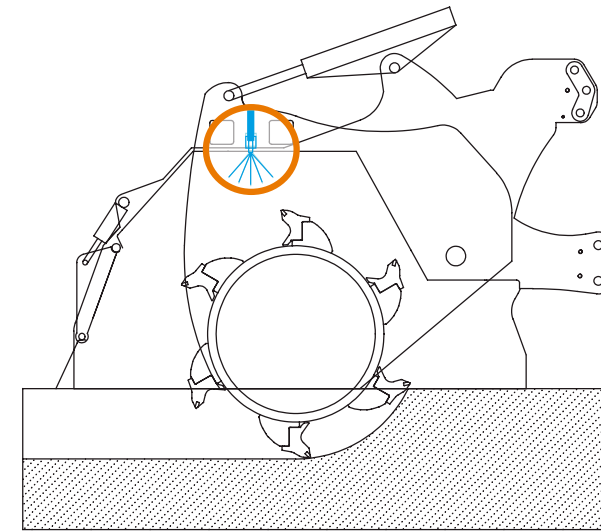
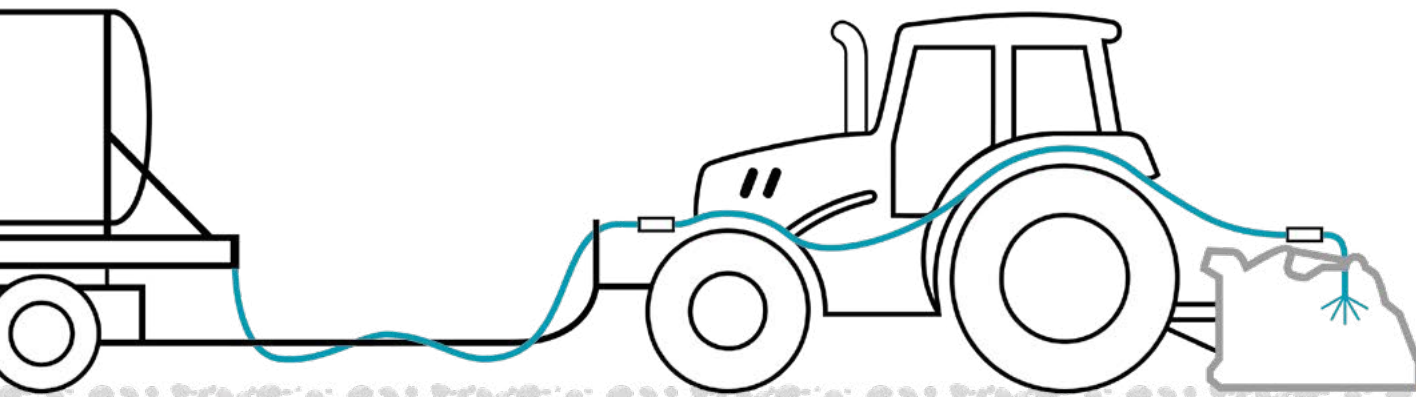


ALL MACHINES CAN BE EQUIPPED WITH A WATER INJECTION SYSTEM

(EVEN AT A LATER DATE)

WATER SPRAY SYSTEM HIGH FLOW (WSS FOR STABI/FRS - STABI/H)

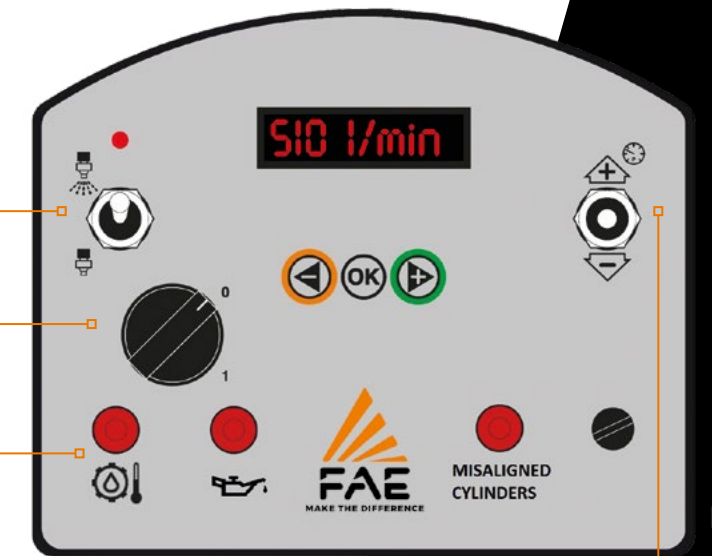
Thanks to the control panel and display showing the water flow rate, it is possible to easily monitor and adjust, from the tractor cab and in complete safety, the instantaneous value of the liters of water delivered and the overall value from the beginning of the operations.



MIXING FUNCTION

(only for stabilize machines or multitask machines)

This function increases the moisture level in the soil, improves mixing with the stabilising agent during stabilisation operations and optimises the results of the consolidation work. It also helps to ensure proper compaction. This is the ideal solution even for liquid binders mixed directly in the mixing chamber.



Water dispensing ON (nozzle up) or OFF (nozzle down)

Panel display ON/OFF

Check Panel functions

Water capacity adjustment (l/min)

STABI/FRS - STABI/FRS/HP
STABI/H - STABI/H/HP

CAPACITY FROM
SINGLE NOZZLE AT 3 BAR

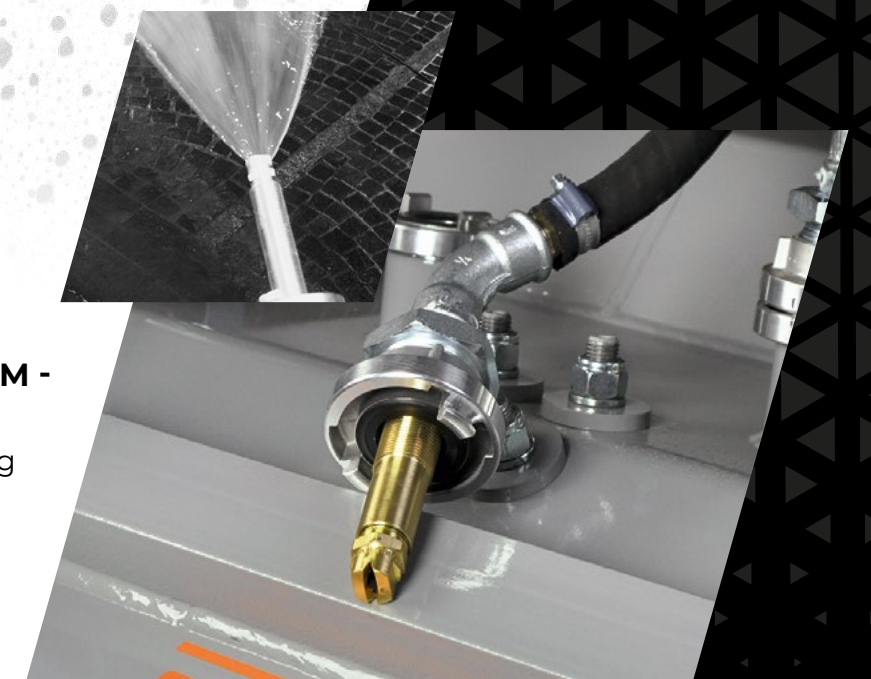
CAPACITY FROM SYSTEM

| | | |
|---|------------|---------------|
| Optional nozzle "1" (80° - 20 l/min) | 7.9 l/min | 65-110 l/min |
| Optional nozzle "2" (80° - 40 l/min) | 15.8 l/min | 115-235 l/min |
| Optional nozzle "3" (80° - 60 l/min) | 24 l/min | 150-330 l/min |
| Standard nozzle (80° - 100 l/min) | 39 l/min | 210-500 l/min |
| Optional nozzle "4" (80° - 150 l/min) | 59 l/min | 240-580 l/min |
| Optional nozzle "5" (80° - 200 l/min) | 79 l/min | 260-640 l/min |

HIGH FLOW WATER SPRAY SYSTEM - HIGH FLOW WSS

Each nozzle has an on/off valve allowing you to manage individual elements separately.

A vast choice of nozzle type, easily exchangeable according to the amount of water.



HELPING YOU MAKE THE RIGHT CHOICES

FCS FULL CONTROL SYSTEM (FCS for STABI/FRS - STABI/H)

The FAE automatic injection system, FCS, is a cutting-edge system built for excellent supply and distribution of water and/or to stabilize the fluid binding agent. Using this intuitive system, the operator is able to establish the exact amount of fluid from the display, based on the road surface (l/m²) or mixing volume (l/m³).



SETTING STAGE

This allows you to choose the perfect nozzles for the job during the initial stages.



WORK STAGE

All of the machine's vital parameters are monitored and recorded.



ANALYSIS STAGE

The software lets you create a work report that can be easily saved to a USB drive (for example the number of m² or m³ processed, water flow, etc.).



The advanced FCS is automatically calibrated according to the speed and depth of the job. The machine's sensors also ensure the correct, automatic operation of this cutting-edge system.

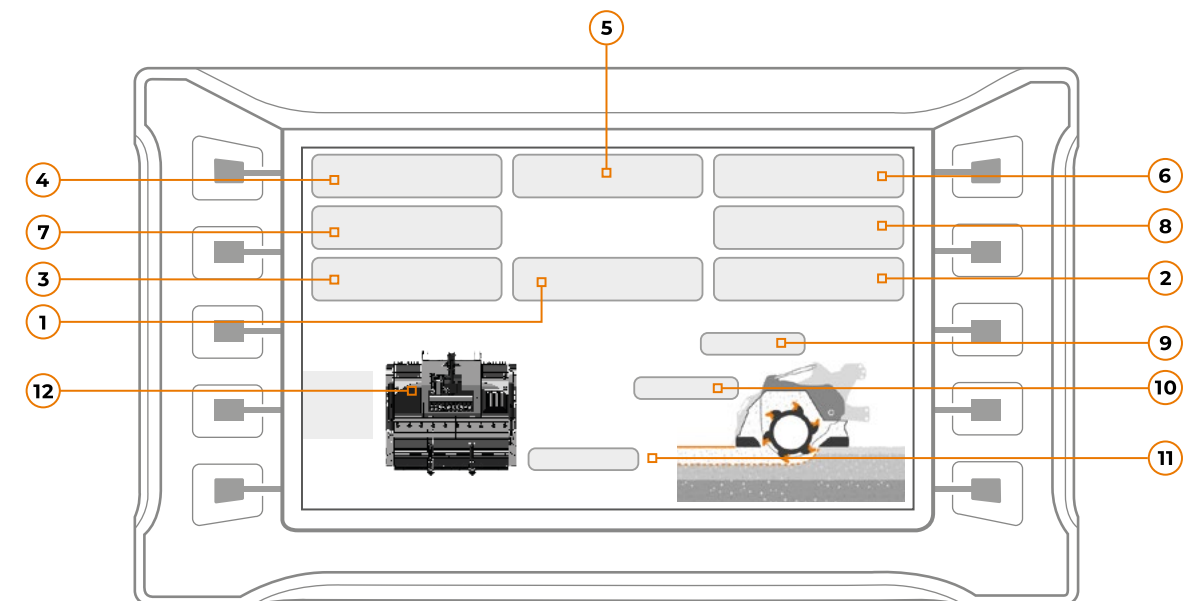
The material is mixed to the moisture ratio required to achieve perfect stabilization.

Compared to manual adjustment, the FCS leaves no room for error and ensure the best possible results in every application.

The machine sensors ensure correct and automatic operation of this first-class system.

The system constantly monitors forward feed speed through the ISOBUS connection on the tractor, or via optional radar sensor, while other sensors control the working depth.

A magnetic flow meter ensure the capacity required.



1. Current speed
2. Current injection flow
3. Total flow from the start of the job
4. Area covered
5. Delivery requirement (l/m²)
6. Current delivery (l/m²)

7. Volume mixed
8. Current delivered (l/m³)
9. Rotor movement percentage
10. Percentage of rear panel opening
11. Working depth
12. Number of nozzles open

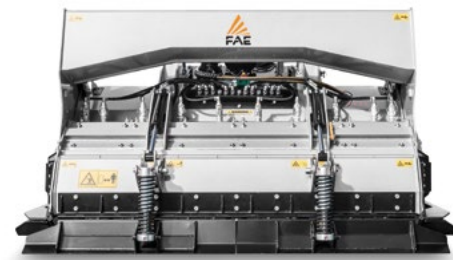
MULTITASKS

Our Multitask machines offer you an unmatched advantage: being able to use a single machine to perform different operations. Thanks to a mixing chamber and to the wide selection of tools, these machines can crush stones, stabilize soil and, in certain conditions, shred asphalt for road building and maintenance purposes.



RSL

FAE multi-function head for tractors from 80 to 190 hp.



MTL

FAE multi-function head for tractors from 140 to 240 hp.



MTM - MTM/HP

FAE multi-function head for tractors from 240 to 360 hp.



MTH - MTH/HP

FAE multi-function head for tractors from 300 to 500 hp.



MULTITASKS

MULTIPURPOSE USES FOR **EXCELLENT RESULTS.**

| MODEL | 0 - 100 hp | 100 - 200 hp | 200 - 300 hp | 300 - 400 hp | 400 - 500 hp |
|---------------------|------------|--------------|--------------|--------------|--------------|
| RSL | | 80 - 190 hp | | | |
| MTL | | 140 - 240 hp | | | |
| MTM - MTM/HP | | | 240 - 360 hp | | |
| MTH - MTH/HP | | | | 300 - 500 hp | |

MULTITASKS

RSL

FAE multi-function head for tractors from 80 to 190 hp.

The RSL is a multifunction head that enables milling of slabs of rock and asphalt, crushing of stones and stabilization of the ground, to a depth of 28 cm. The compact size, low weight and minimum operating width of 100 cm make it perfect in limited spaces such as small areas of asphalt and in road maintenance. The gear transmission enables operation with

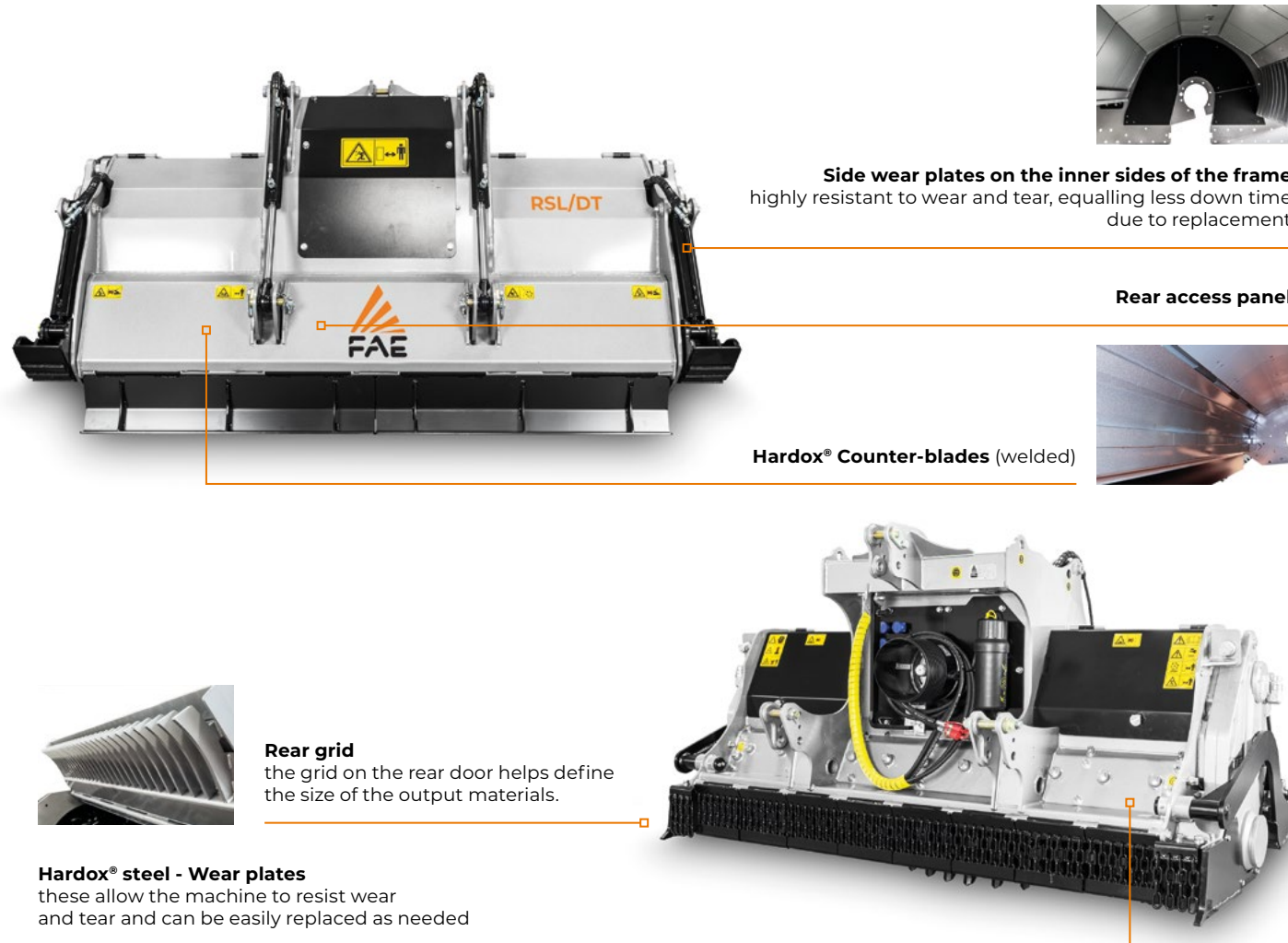
constantly optimal levels of torque and power. The dedicated teeth guarantee optimal results in the presence of stones and slabs of rock. The crushing chamber is protected by Hardox coatings to offer maximum wear resistance even in the most demanding conditions.



80-190 hp



Depth 28 cm max



STANDARD EQUIPMENT

| | |
|--|--|
| Hydraulic rear hood | Gearbox with freewheel |
| Interchangeable inner antiwear plates in Hardox® | Friction clutches (RSL/DT) |
| Enclosed machine body | PTO shaft with cam clutch |
| Bolted grid on rear hood | Bolted-on rotor shafts (in forged steel) |
| Inside lateral protection | Flat pressed welded steel counter-blades |
| Protection chains | Hydraulically adjustable skids |
| Transmission with side gearbox (RSL/DT) | Dozing blades |

OPTIONS

| | |
|-----------------------------------|---|
| Bolt-on chain's protection plates | Water spray system WSS Basic |
| Multiple tooth options | Water spray system WSS High Flow (RSL/DT) |
| Hydraulic top link | Extended 3 point linkage (RSL/ST) |

| MODEL | RSL/ST 100 | RSL/ST 125 | RSL/ST 150 | RSL/DT 175 | RSL/DT 200 | RSL/DT 225 |
|---|------------|------------|------------|------------|------------|------------|
| Tractor (hp) | 80-120 | 90-120 | 100-120 | 120-190 | 130-190 | 140-190 |
| PTO (rpm) | 540 | 540 | 540 | 1000 | 1000 | 1000 |
| Working width (mm) | 1000 | 1240 | 1480 | 1720 | 1960 | 2200 |
| Total width (mm) | 1340 | 1580 | 1820 | 2060 | 2300 | 2540 |
| Weight (Kg) | 1600 | 1800 | 1960 | 2350 | 2500 | 2650 |
| Rotor diameter (mm) | 595 | 595 | 595 | 595 | 595 | 595 |
| Working depth (mm) (Max. 1-Max. 2) | 150-280 | 150-280 | 150-280 | 150-280 | 150-280 | 150-280 |
| ROTOR G/3 | | | | | | |
| No. teeth type G/3+STC/3/FP | 28+6 | 36+6 | 42+6 | 50+6 | 60+6 | 70+6 |
| ROTOR R | | | | | | |
| Working depth (mm) (Max. 1-Max. 2) | 160-280 | 160-280 | 160-280 | 160-280 | 160-280 | 160-280 |
| No. teeth type R+R/HD | 58+16 | 82+16 | 98+16 | 122+16 | 138+16 | 154+16 |

Max. 1: with rotor only Max. 2: maximum depth (maximum working depth depending on ground conditions). This information refers to the machine equipped as standard. The technical data in this catalogue may be altered without prior notice.

MAIN OPTIONS



Hydraulic top link



Bolt-on chain's protection plates



Multiple tooth options



The **Water Spray System** (Basic & High Flow) has the dual function of cooling and mixing

ROTOR TYPE G



G/3 (standard)



G/3/HD (option)



ADAPTOR G/3 R 44 (option)

ROTOR TYPE R



R 65 (standard)



R/HD 65 (option)



ADAPTOR R 44 (option)



STC/3/FP (side scraper)



R/HD 65 (side scraper)

MULTITASKS

MTL

FAE multi-function head for tractors from 140 to 240 hp.

The MTL enables ground stabilization, milling of asphalt and slabs of rock, and crushing of stones, down to a maximum operating depth of 28 cm. The variable-geometry crushing chamber, adjustable grid on the hood and adjustable Hardox® counter blade enable constantly optimal crushing results. Internal protection plates on the frame, bolted both centrally

and laterally, ensure the head is robust and reliable. The handy depth indicator allows you to check the operating level directly from the cab. The central gearbox system with universal-joint alignment system is designed to be compatible with a wide range of tractors on the market.



140-240 hp



Depth 28 cm max



Variable displacement chamber

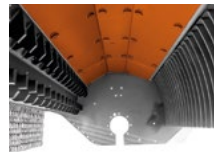


Side wear plates on the inner sides of the frame highly resistant to wear and tear, equalling less down time due to replacement



Rear access panel

Hardox® steel - Wear plates these allow the machine to resist wear and tear and can be easily replaced as needed



Rear grid the grid on the rear door helps define the size of the output materials



Displacement Chamber this technological solution, which is one of a kind in the industry, allows the ground to be penetrated with the rotor alone

STANDARD EQUIPMENT

| | |
|--|--|
| Hydraulic rear hood | Transmission with side gearbox |
| Interchangeable inner antiwear plates in Hardox® | Gearbox with freewheel |
| Enclosed machine body | Friction clutches |
| Variable displacement chamber | PTO shaft with cam clutch |
| Bolted grid on rear hood | Bolted-on rotor shafts (in forged steel) |
| Inside lateral protection | Adjustable Hardox® counter-blade |
| Bolted on protection chains | Dozing blades with spring system |

OPTIONS

| | |
|------------------------|----------------------------------|
| Multiple tooth options | Water spray system WSS Basic |
| Hydraulic top link | Water spray system WSS High Flow |

| MODEL | MTL 150 | MTL 175 | MTL 200 | MTL 225 |
|----------------------------|---|---------|---------|---------|
| Tractor (hp) | 140-240 | 150-240 | 160-240 | 170-240 |
| PTO (rpm) | 1000 | 1000 | 1000 | 1000 |
| Working width (mm) | 1480 | 1720 | 1960 | 2200 |
| Total width (mm) | 1820 | 2060 | 2300 | 2540 |
| Weight (Kg) | 3370 | 3620 | 3870 | 4120 |
| Rotor diameter (mm) | 595 | 595 | 595 | 595 |
| ROTOR G/3 | Working depth (mm) (Max. 1-Max. 2) | 150-280 | 150-280 | 150-280 |
| | No. teeth type G/3+STC/3/FP | 42+6 | 50+6 | 60+6 |
| ROTOR R (optional) | Working depth (mm) (Max. 1-Max. 2) | 150-280 | 150-280 | 150-280 |
| | No. teeth type R+R/HD | 98+16 | 122+16 | 138+16 |

Max. 1: with rotor only **Max. 2:** maximum depth (maximum working depth depending on ground conditions). This information refers to the machine equipped as standard. The technical data in this catalogue may be altered without prior notice.

MAIN OPTIONS



Hydraulic top link



Bolt-on chain's protection plates



Multiple tooth options



The **Water Spray System** (Basic & High Flow) has the dual function of cooling and mixing

ROTOR TYPE G



G/3 (standard)



G/3/HD (option)

ROTOR TYPE R



R 65 (standard)



R/HD 65 (option)



ADAPTOR R 44 (option)



STC/3/FP (side scraper)



R/HD 65 (side scraper)

MULTITASKS

MTM - MTM/HP

FAE multi-function head for tractors from 240 to 360 hp.

The MTM enables ground stabilization, milling of slabs of rock, crushing of stones, and milling of asphalt, down to a maximum operating depth of 40 cm. The compact size and excellent maneuverability enable the MTM to work on surfaces which are difficult to reach using self-powered vehicles. The variable-geometry crushing chamber guarantees excellent

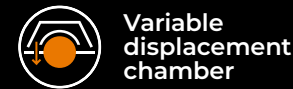
results in terms of breaking down material. The volume of the chamber increases based on depth with a reduction in fuel consumption and an increase in operating speed. The Hardox® wear-resistant counter blade and grid on the rear hood guarantee the desired granulometry of material processed.



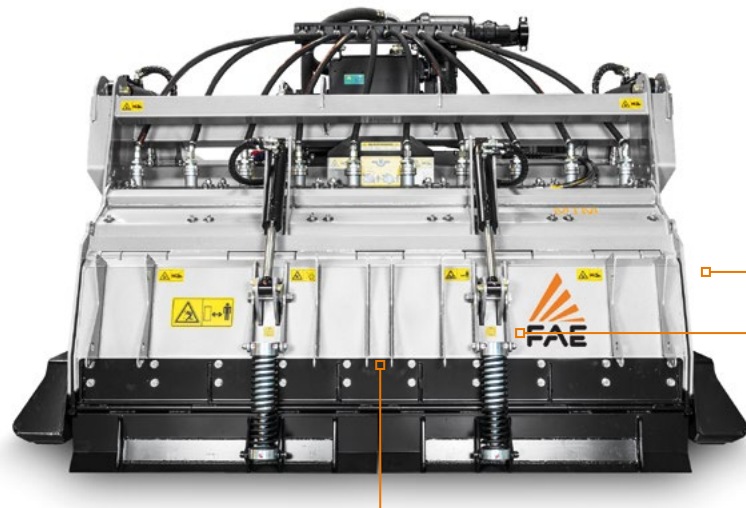
240-360 hp



Depth 40 cm max



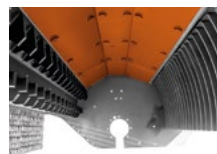
Variable displacement chamber



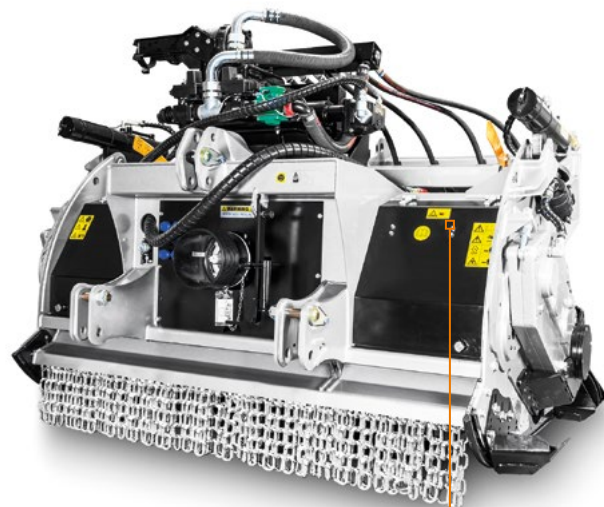
Side wear plates on the inner sides of the frame
highly resistant to wear and tear, equalling less down time due to replacement

Rear access panel

Hardox® steel - Wear plates
these allow the machine to resist wear and tear and can be easily replaced as needed



Rear grid
the grid on the rear door helps define the size of the output materials



Displacement Chamber
this technological solution, which is one of a kind in the industry, allows the ground to be penetrated with the rotor alone

STANDARD EQUIPMENT

| | |
|--|--|
| Hydraulic front hood | Gearbox with freewheel |
| Hydraulic rear hood | PTO shaft (MTM/HP) |
| Interchangeable inner antiwear plates in Hardox® | Friction clutches |
| Enclosed machine body | PTO shaft with cam clutch (MTM) |
| Variable displacement chamber | Bolted-on rotor shafts (in forged steel) |
| Bolted grid on rear hood | Adjustable Hardox® counter-blade |
| Inside lateral protection | Adjustable skids |
| Protection chains | Dozing blades with spring system |
| Transmission with side gearbox | |

OPTIONS

| | |
|--------------------------|----------------------------------|
| Extended 3 point linkage | Water spray system WSS High Flow |
| Multiple tooth options | FCS full control system |
| Hydraulic top link | |

| MODEL | MTM 200 | MTM 225 | MTM/HP 200 | MTM/HP 225 |
|----------------------------|--|------------|------------|------------|
| Tractor (hp) | 240-300 | 240-300 | 300-360 | 300-360 |
| PTO (rpm) | 1000 | 1000 | 1000 | 1000 |
| Working width (mm) | 2053 | 2293 | 2053 | 2293 |
| Total width (mm) | 2495 | 2735 | 2495 | 2735 |
| Weight (Kg) | 5850 | 6350 | 5900 | 6400 |
| Rotor diameter (mm) | 940 | 940 | 940 | 940 |
| ROTOR G/3 | Working depth (mm) (Max. 1-Max. 2) | 250-400 | 250-400 | 250-400 |
| | No. teeth type G/3+STC/3/FP+STC/FP | 94+4+4 | 106+4+4 | 94+4+4 |
| ROTOR R | Working depth (mm) (Max. 1-Max. 2) | 240-400 | 240-400 | 240-400 |
| | No. teeth type R+R/HD+STC/3/FP+STC/FP | 126+20+4+4 | 144+20+4+4 | 126+20+4+4 |

Max. 1: with rotor only **Max. 2:** maximum depth (maximum working depth depending on ground conditions).
This information refers to the machine equipped as standard. The technical data in this catalogue may be altered without prior notice.

MAIN OPTIONS



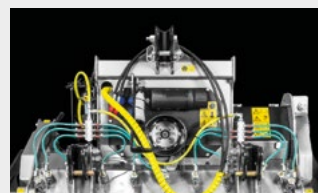
Extended 3 point linkage



Bolt-on chain's protection plates



Multiple tooth options



The **Water Spray System** (High Flow & FCS) has the dual function of cooling and mixing

ROTOR TYPE G



G/3 (standard)



G/3/HD (option)



ADAPTOR G/3 R 44 (option)

ROTOR TYPE R



R 65 (standard)



R/HD 65 (option)



ADAPTOR R 44 (option)



STC/FP (side scraper)



STC/3/FP (side scraper)



R/HD 65 (side scraper)

MULTITASKS

MTH - MTH/HP

FAE multi-function head for tractors from 300 to 500 hp.

The top-of-the-range FAE multi-function machine enabling milling of rock slabs, crushing of stones, milling of asphalt and ground stabilization, with a maximum operating depth of 50 cm. The gear transmission enables operation with constantly optimal levels of torque and power. The variable-geometry crushing chamber guarantees excellent

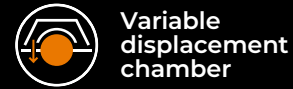
results in terms of breaking down material. The volume of the chamber increases based on depth with a reduction in fuel consumption and an increase in operating speed. The Hardox® wear-resistant counter blade and grid on the rear hood guarantee the desired granulometry of material processed.



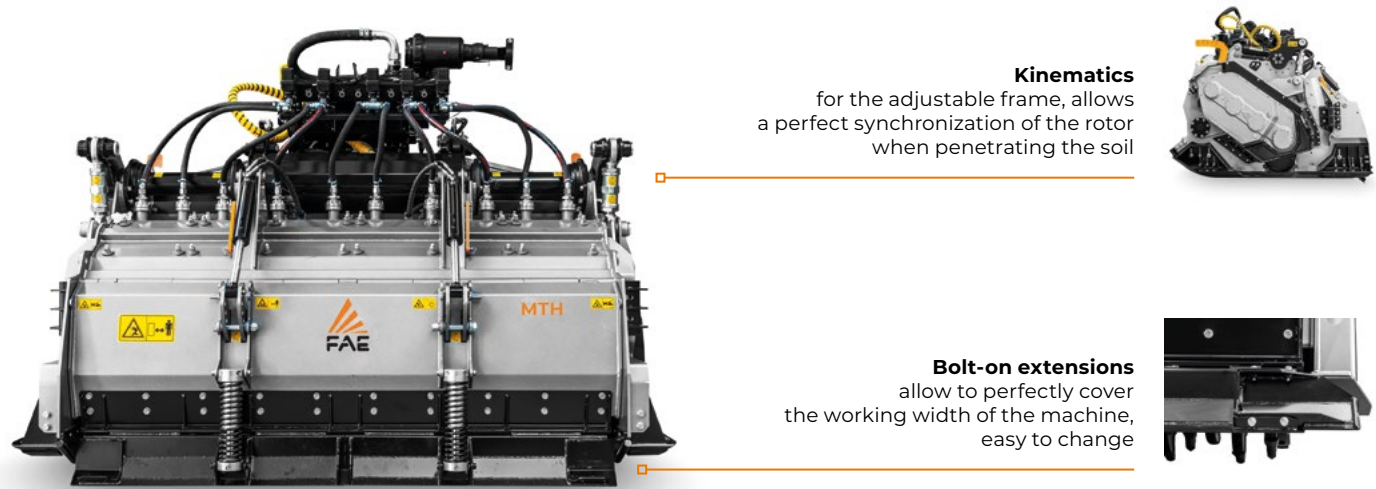
300-500 hp



Depth 50 cm max



Variable displacement chamber



Kinematics for the adjustable frame, allows a perfect synchronization of the rotor when penetrating the soil



Bolt-on extensions allow to perfectly cover the working width of the machine, easy to change



Cooling system guarantees high performance in all working conditions

Internal replaceable protections to allow using the machine in extreme conditions



STANDARD EQUIPMENT

| | |
|--|--|
| Hydraulic rear hood | Gearbox with oil cooling system (MTH/HP) |
| Interchangeable inner antiwear plates in Hardox® | PTO shaft |
| Enclosed machine body | Friction clutches |
| Variable displacement chamber | Bolted-on rotor shafts (in forged steel) |
| Bolted grid on rear hood | Hydraulic top link |
| Inside lateral protection | Flat pressed welded steel counter-blades |
| Bolted on protection chains | Adjustable Hardox® counter-blade |
| Transmission with side gearbox | Adjustable skids |
| Side gearbox with oil cooling system (MTH/HP) | Dozing blades with spring system |
| Gearbox with freewheel | |

OPTIONS

| | |
|--------------------------|----------------------------------|
| Hydraulic front hood | Multiple tooth options |
| Extended 3 point linkage | Water spray system WSS High Flow |
| Centralized greasing hub | FCS full control system |

| MODEL | MTH 225 | MTH 250 | MTH/HP 225 | MTH/HP 250 |
|--|------------|------------|------------|------------|
| Tractor (hp) | 300-400 | 300-400 | 360-500 | 360-500 |
| PTO (rpm) | 1000 | 1000 | 1000 | 1000 |
| Working width (mm) | 2320 | 2560 | 2320 | 2560 |
| Total width (mm) | 2901 | 3141 | 2901 | 3141 |
| Weight (Kg) | 7900 | 8150 | 8100 | 8325 |
| ROTOR G/3 | | | | |
| Rotor diameter (mm) | 1095 | 1095 | 1095 | 1095 |
| Working depth (mm) (Max. 1-Max. 2) | 320-500 | 320-500 | 320-500 | 320-500 |
| No. teeth type G/3+STC/3/FP+STC/FP | 116+4+4 | 132+4+4 | 116+4+4 | 132+4+4 |
| Rotor diameter (mm) | 1060 | 1060 | 1060 | 1060 |
| ROTOR R (optional) | | | | |
| Working depth (mm) (Max. 1-Max. 2) | 340-500 | 340-500 | 340-500 | 340-500 |
| No. teeth type R+R/HD+STC/3/FP+STC/FP | 160+24+6+6 | 182+24+6+6 | 160+24+6+6 | 182+24+6+6 |

Max. 1: with rotor only **Max. 2:** maximum depth (maximum working depth depending on ground conditions). This information refers to the machine equipped as standard. The technical data in this catalogue may be altered without prior notice.

MAIN OPTIONS



Extended 3 point linkage



Bolt-on chain's protection plates



Multiple tooth options



The **Water Spray System** (High Flow & FCS) has the dual function of cooling and mixing

ROTOR TYPE G



G/3 (standard)



G/3/HD (option)



ADAPTOR G/3 R 44 (option)

ROTOR TYPE R



R 65 (standard)



R/HD 65 (option)



ADAPTOR R 44 (option)



STC/FP (side scraper)



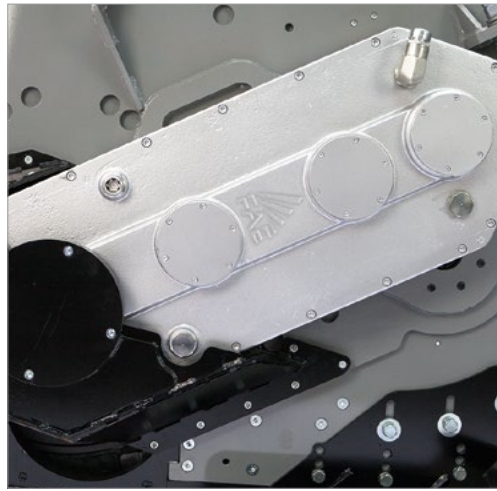
STC/3/FP (side scraper)



R/HD 65 (side scraper)

SPHEROIDAL CAST-IRON PARALLEL AXIS REDUCTION GEAR

Reduction gears are designed to make penetrating the ground easier. Reduction gears are attached using a pendular system separate from the frame and the rotor and are therefore not affected by stress or deformation. The single reduction gear is also easily detachable.

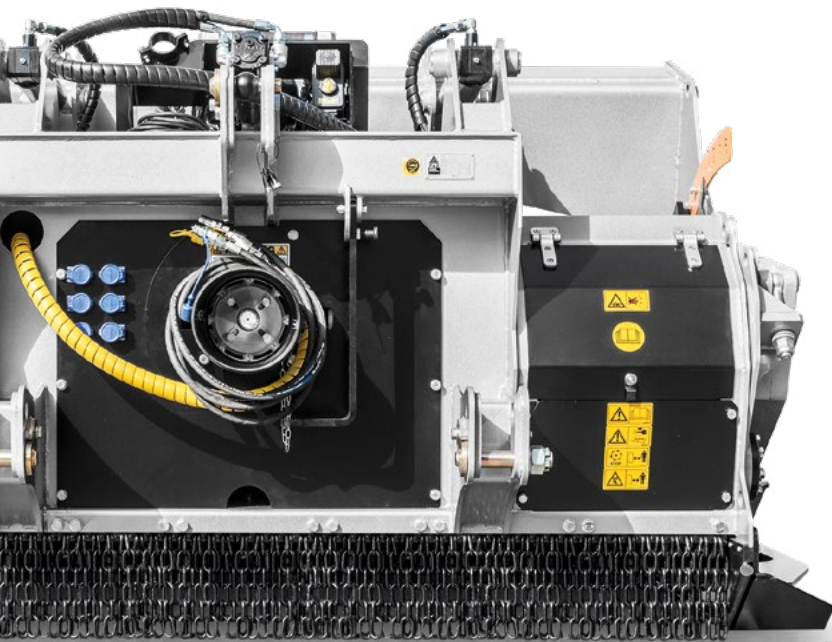


GEAR REDUCTION SYSTEM

The single and dual gear reduction system, depending on the model, requires no forced hydraulic fluid cooling under any work condition. This component's high heat tolerance is a significant feature as it avoids the need for high maintenance parts such as oil coolers and pumps.

DUAL LATERAL GEARBOX TRANSMISSION

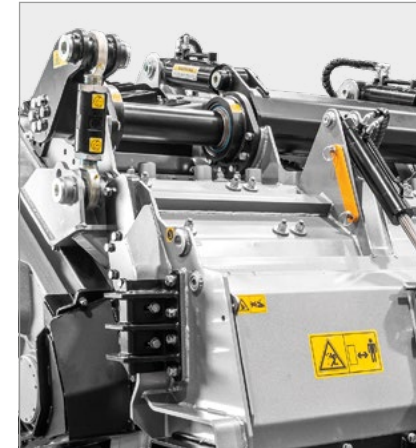
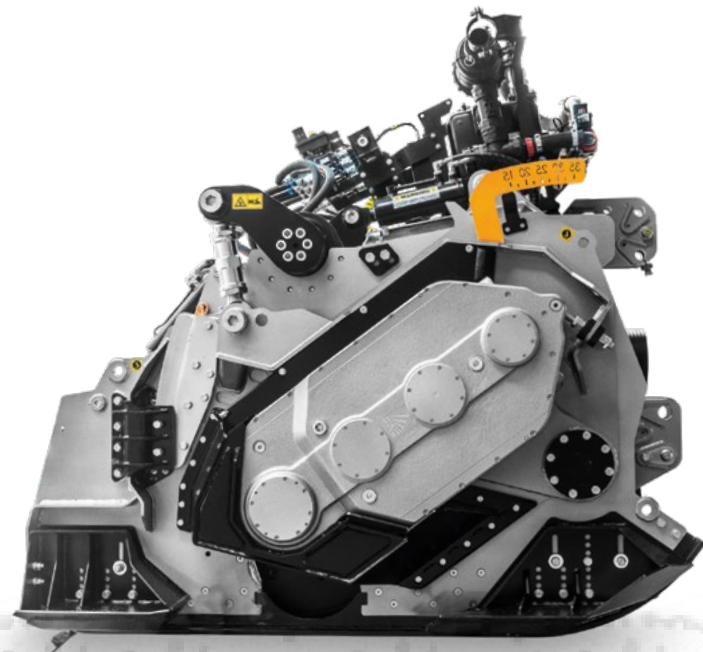
The dual side geared transmission (not available on the RSL 100, 125 and 150 models) perfectly transforms engine power into grinding power. Compared to a belt driven transmission, the gearbox transmission offers important advantages such as greater transmission torque, less wear on teeth because of lower rotor speed, more effective ground penetration due to the smaller size.



VARIABLE GEOMETRY MIXING AND GRINDING CHAMBER

This technical solution is unique in the industry and is found on the MTL, MTM and MTH models. The Variable Geometry Crushing Chamber enables ground penetration with just the rotor, and is adjustable from the cab of the tractor. The volume of the crushing chamber, where the material is blended, is variable. Thus, the deeper the work, the larger the volume of the chamber. Compared with machines that sink into the ground with their frame, the variable geometry crushing chamber reduces resistance with the tractor, lowers fuel consumption, speeds up operations. Saving time.

BOTTOM SIDE PROTECTION FOR GUARANTEED RELIABILITY, EVEN AT MAXIMUM WORKING DEPTHS

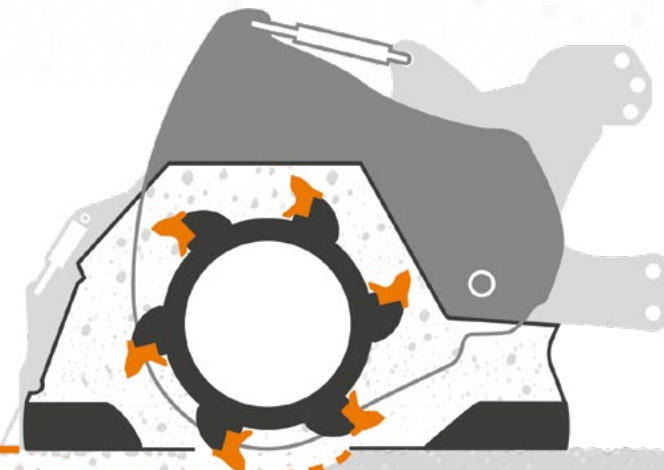


- Guaranteed mixing quality of the material in any situation
- Reduced traction forces and fuel consumption
- Increased operating speeds and greater time savings
- Newly engineered rotor depth control system
- Depth gauge to monitor an achieve ideal depth
- Easily visible from the cab, for precise, efficient depth adjustment

DEPTH IS ADJUSTED USING 2 CYLINDERS

MTL: 0 cm*
MTM: 4,5 cm*
MTH: 8,5 cm*

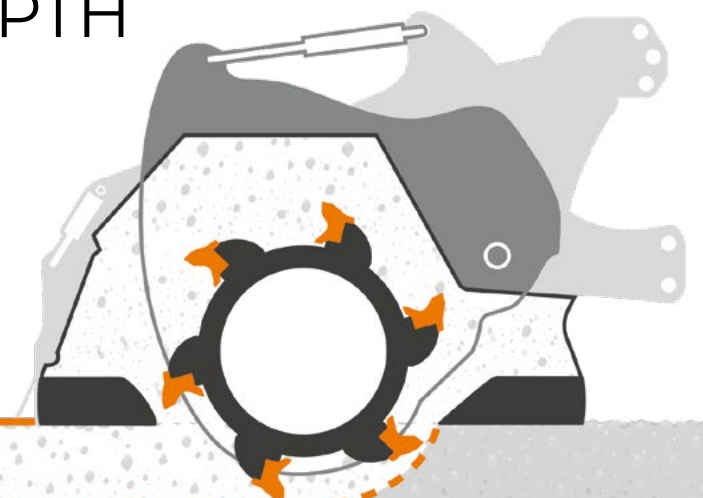
*with G/3 rotor



SPECIALLY DESIGNED TO ACHIEVE A CONSISTENT DEPTH

MTL: 15 cm*
MTM: 25 cm*
MTH: 32 cm*

*with G/3 rotor



THE G/3 ROTOR

The heart of FAE technology is the rotor, which grinds rocks and asphalt, turns the ground and evenly mixes lime or cement that is spread over the area to be stabilized. The patented tooth pattern ensures even distribution of the forces over its entire width, limits stress to the structure, reduces power absorption and enables uniform distribution of the output materials.

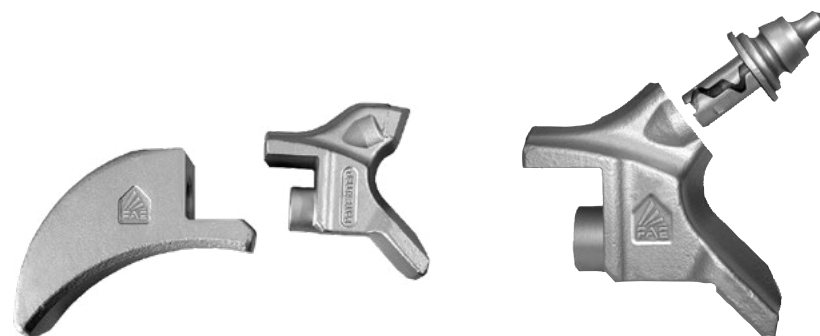
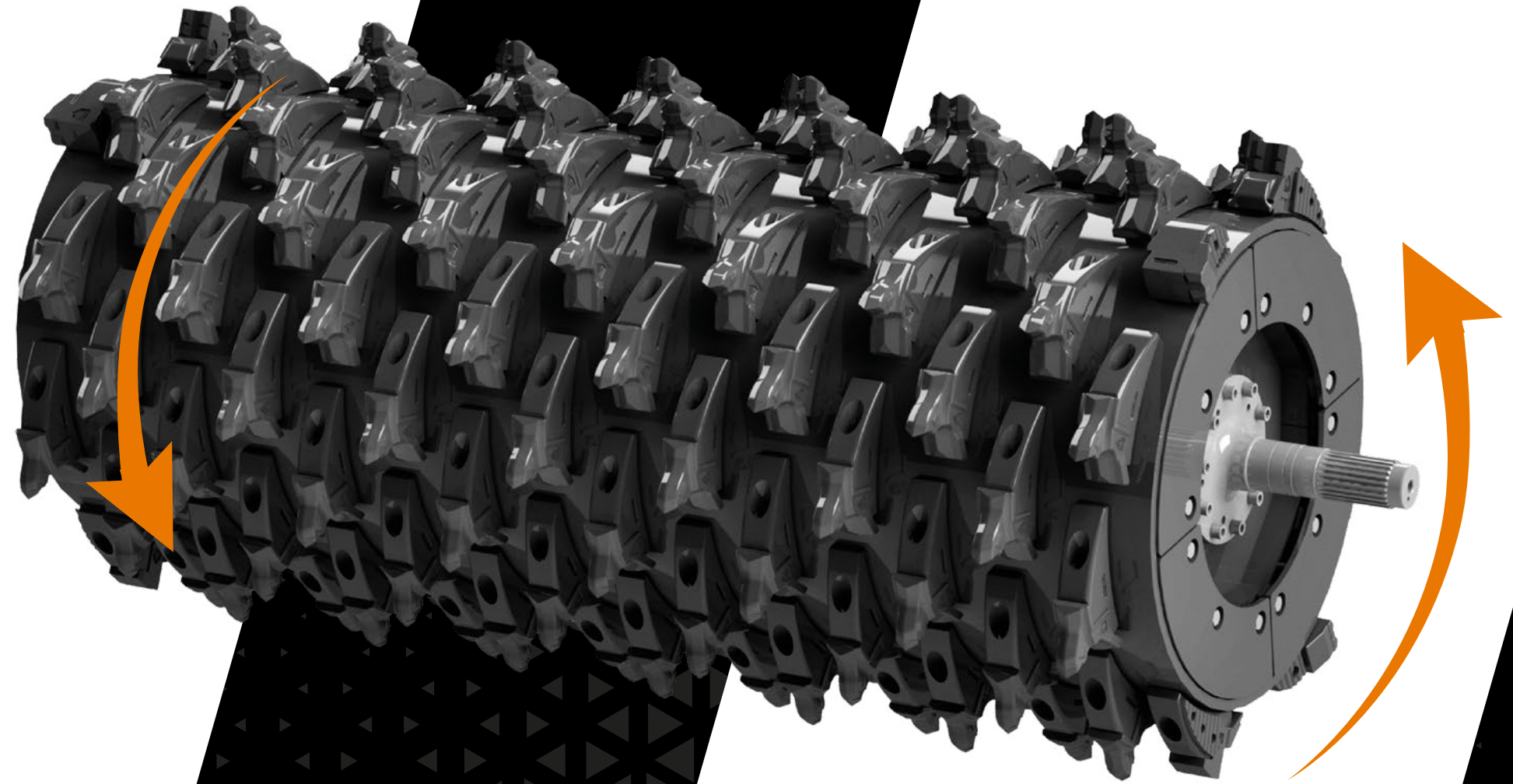
Guards with easily replaceable parts.

The ends of the rotor and outside tooth holders have wear plates to protect from excessive wear.

Rotors are equipped with different types of tools depending on the application.

RING LABYRINTH SYSTEM

Standard for all PTO Construction products, the system increases rotor bearing protection from outside contamination. This technical trait makes equipment more reliable, reducing maintenance costs.



The rotor hubs are interchangeable and made of forged steel for excellent resistance to mechanical stress.

YOU CAN BE CONFIDENT OF DURABILITY

Our teeth and tooth holders are the result of intensive research and development. The tooth holders are all made of forged steel, and welded to the rotor automatically. Tungsten carbide (Widia®) inserts offer hardness with limited wear and tear. The special design of FAE teeth guarantees the following advantages:

- 1** MAXIMUM RESISTANCE TO MECHANICAL STRESS
- 2** TOOLS LAST LONGER
- 3** MAXIMUM RELIABILITY AND PERFORMANCE EVEN IN TOUGH TERRAIN
- 4** REDUCED OPERATING COSTS

Cutting-edge tooth design ensures the utmost protection for the tooth holder, reducing operating costs. Improved resistance to mechanical stress and maximum durability are the result of a larger support surface on the rotor.



G/3
(standard)



G/3 HD
(optional)



R 44
(optional)



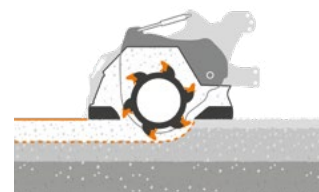
STC/FP
(side scraper)



STC/3/FP
(side scraper)

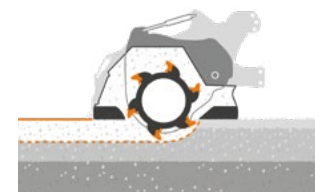
GROUND STABILIZING

teeth type G/3
teeth type R 44



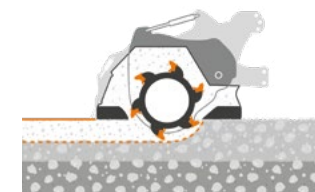
STABILIZING IN PRESENCE OF ROCKS

teeth type R 44
teeth type G/3



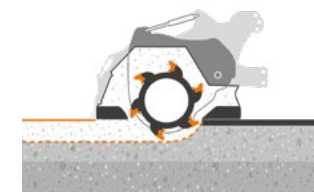
STONE CRUSHING

teeth type STC/FP
(side scraper)
teeth type G/3



ASPHALT GRINDING

teeth type R44
teeth type G/3



STUMP GRINDING

teeth type STC/3/FP
(side scraper)
teeth type G/3



THE R ROTOR

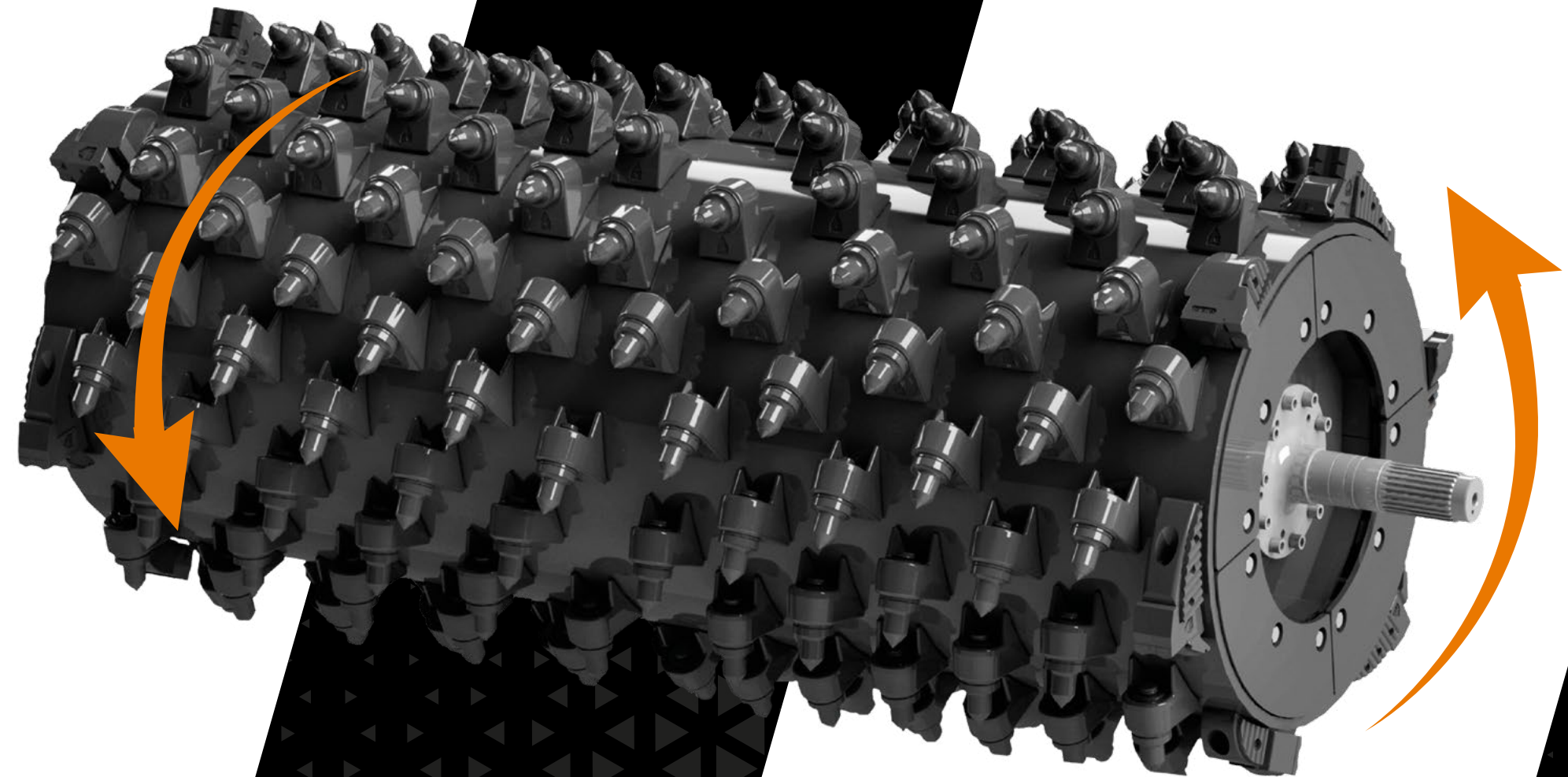
The heart of FAE technology is the rotor, which grinds rocks and asphalt, turns the ground and evenly mixes lime or cement that is spread over the area to be stabilized. The patented tooth pattern ensures even distribution of the forces over its entire width, limits stress to the structure, reduces power absorption and enables uniform distribution of the output materials.

Guards with easily replaceable parts.

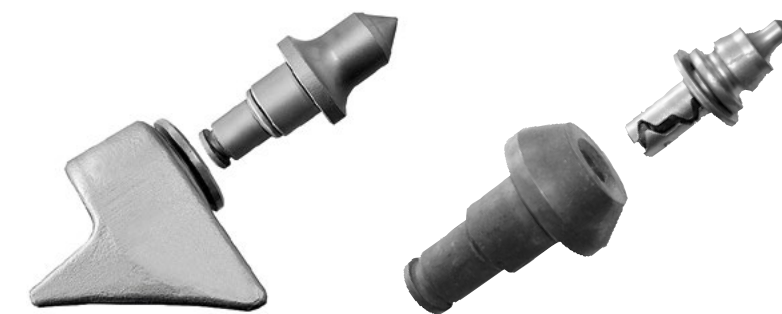
The ends of the rotor and outside tooth holders have wear plates to protect from excessive wear.

A labyrinth ring system avoids dust contamination in the rotor bearing.

Rotors are equipped with different types of tools depending on the application.



The rotor hubs are interchangeable and made of forged steel for excellent resistance to mechanical stress.



Interchangeable tools that can be easily replaced are symbol of efficiency in every application. A leading-edge technical solution means that the same asphalt shredding tooth (R/44) can be fitted to each rotor.

YOU CAN BE CONFIDENT OF DURABILITY

Our teeth and tooth holders are the result of intensive research and development. The tooth holders are all made of forged steel, and welded to the rotor automatically. Tungsten carbide (Widia®) inserts offer hardness with limited wear and tear. The special design of FAE teeth guarantees the following advantages:

- 1** MAXIMUM RESISTANCE TO MECHANICAL STRESS
- 2** TOOLS LAST LONGER
- 3** MAXIMUM RELIABILITY AND PERFORMANCE EVEN IN TOUGH TERRAIN
- 4** REDUCED OPERATING COSTS

Cutting-edge tooth design ensures the utmost protection for the tooth holder, reducing operating costs. Improved resistance to mechanical stress and maximum durability are the result of a larger support surface on the rotor.



R 65
(standard)



R/HD 65
(optional)



R 44
(optional)



R/HD 65
(side scraper)



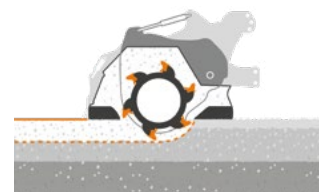
STC/FP
(side scraper)



STC/3/FP
(side scraper)

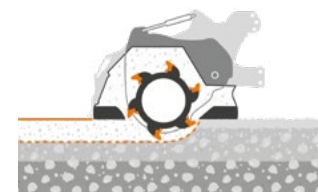
GROUND STABILIZING

teeth type R 65
teeth type R/HD 65
teeth type R 44



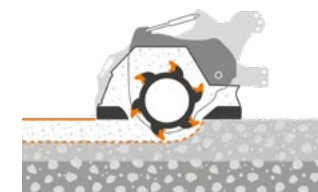
STABILIZING IN PRESENCE OF ROCKS

teeth type R/HD 65
teeth type R 65



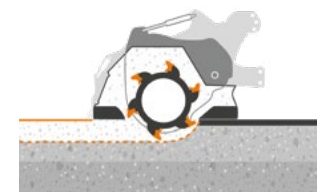
STONE CRUSHING

teeth type R 44
teeth type R 65
teeth type R/HD 65



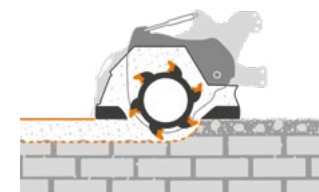
ASPHALT GRINDING

teeth type STC/FP
teeth type R/HD 65
teeth type R 44



SLAB GRINDING

teeth type STC/3/FP
teeth type R/HD 65

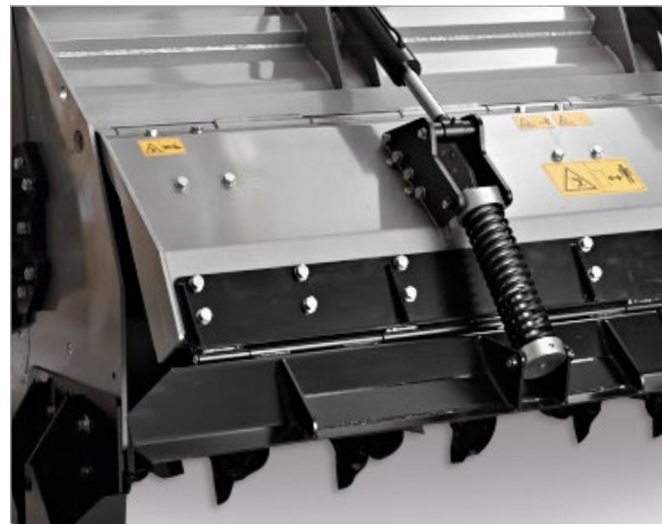


ENDURING THROUGH TIME, DESIGNED FOR EVERY NEED



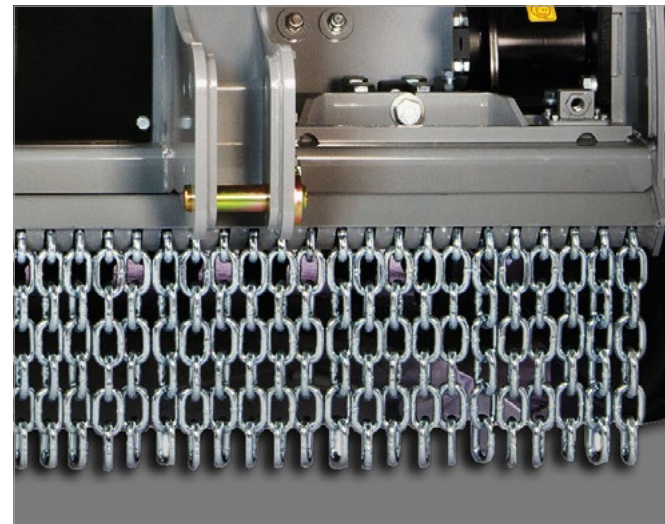
REAR GRID

The grid on the rear door helps define the size of the final product. It is easy to adjust mechanically from the outside using the adjustment slots. Its use is indispensable when working on clay-like soils that have a large amount of surface rocks. The grid enables the rear door to be opened so that the soil can flow out without losing the regulation of the average size of the final product.



REAR DOOR

With hydraulic adjustment to regulate the quantity of material in output.



MATERIAL ENTRY POINT

Comes with hydraulic adjustment to stop rocks from being ejected along the length of the tractor (MTL excluded).

SIDE WEAR PLATES

On the inner side of the frame are easily replaceable without having to remove the rotor, while ensuring excellent resistance to wear and reduce replacement intervals.

HARDOX® SECTIONAL WEAR PLATES

Internal Hardox® guards against wear and tear. The sectional plates are easy to replace without having to remove the rotor.

HARDOX® COUNTER BLADE

Helps to achieve the desired final product size. It is easily replaceable, due to its attachment screws, thus making maintenance fast and easy.

COUNTER BLADE ADJUSTMENT SYSTEM

Adjustment system that enables the rapid change of position of the Hardox® counter blade depending on material size requirements.



FOR TOP LEVEL PERFORMANCE THE DIFFERENCE IS IN THE DETAILS

SPRING LOADED LEVELING BLADE

The spring loaded leveling blade produces an even final product as a result of its engineering and design.

STRUCTURAL PLATES WELDOX®

To ensure high strength and easy handling.

SELF-PRIMING WATER SYSTEM PUMP

This system provides a consistent flow rate throughout the water system, no matter the slope of the machine.

CONTROL PANEL

This is fitted as standard on all machines (RSL & MTL excluded). Thanks to 4 indicator lights that signal any failures, the Control Panel allows the oil pressure and temperature to be monitored, together with the alignment of mobile rotor cylinders, for safer machine operations.



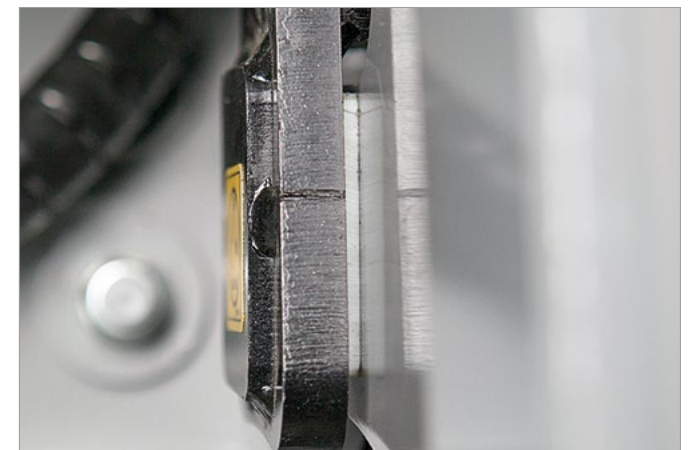
INSPECTION HATCH WITH KEY CLOSURE

The special design of the hatches ensures easy maintenance and inspections. The key closure, specially designed with an incorporated dust screen, allows the quick opening of both hatches in any situation.



SUPPORT SKIDS (to prevent the sinking)

The support skids are height adjustable and easily removable to increase working depths. Additional optional features are not necessary for the machine to penetrate to its maximum depth (support skids assembled).



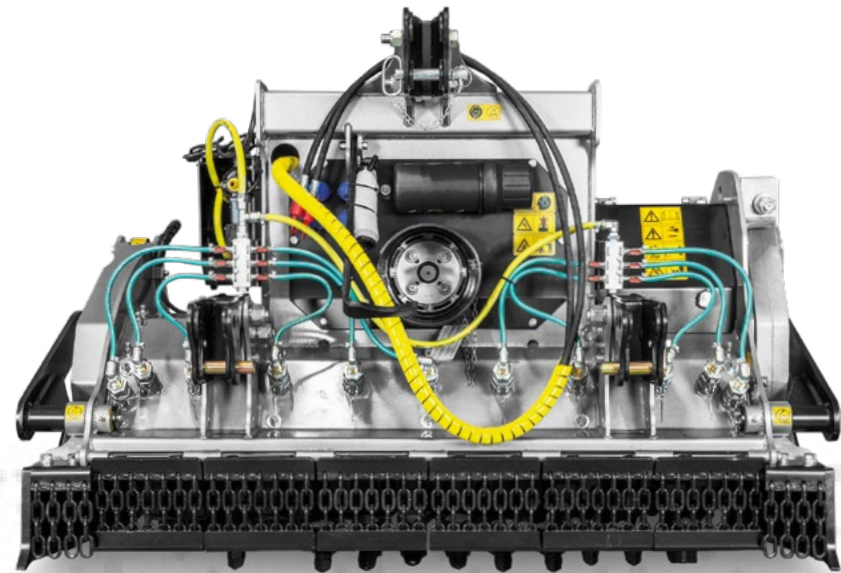
TEFLON INSERTS

Easily replaceable. They ensure that the two frames slide easily.

WATER SPRAY SYSTEM (WSS) BASIC AND HIGH FLOW

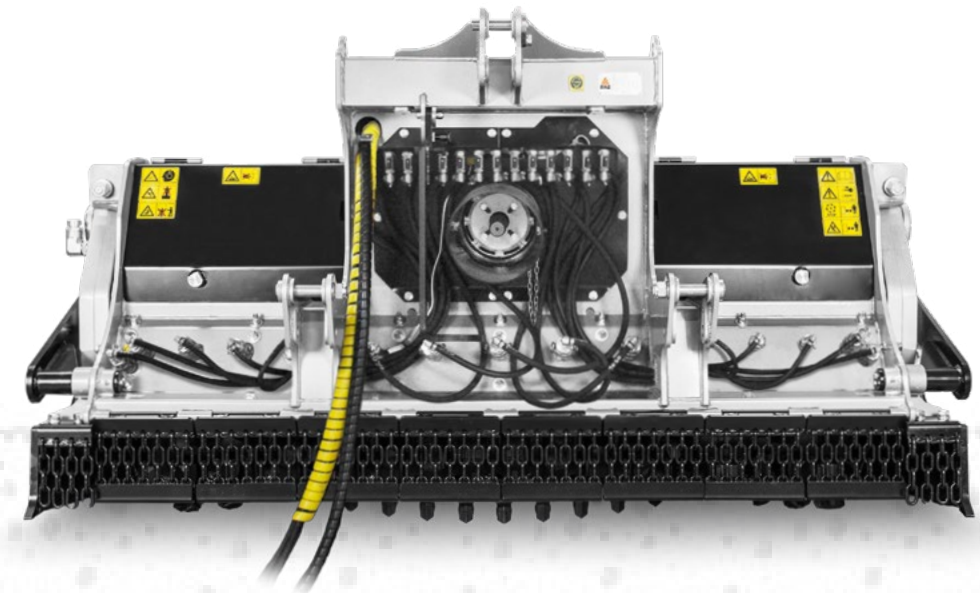
WSS BASIC FOR RSL - MTL

Compact, convenient and simple system for those who want to carry out asphalt milling and recycling operations. Thanks to a 200-liter tank placed directly on the tractor's front lift and an electric pump that can be operated directly from the tractor cab, the water flow will cool the tools during asphalt processing.



WSS HIGH FLOW FOR RSL/DT - MTL

Water system operated by a hydraulic motor and equipped with a pump with a high flow rate, it has been designed to allow for better mixing; in fact, the high flow rate of the pump not only limits the temperature of the tools, making asphalt milling and recycling operations possible, but also favors the increase of the moisture of the mixed soil, making the machine suitable for stabilization works.



SWITCH (ON/OFF)

Switch (on/off) located in the tractor cab.

Thanks to this switch, it is possible to easily enable, from the tractor cab, the Water flow.

Flow of a few litres per minute 3-7 l/min.



WATER TANK

(positioned on the tractor's front mount)

Tank volume 200 litres.



LOCATED IN THE CAB

1 / Control panel, used to adjust the amount of fluid injected by the stabilizer

2 / Control panel, with display showing the instantaneous flow rate



| DATA SHEET | MINIMUM FLOW RATE | MAXIMUM CAPACITY | MAXIMUM PRESSURE |
|------------------|-------------------|------------------|------------------|
| Centrifugal pump | 65 l/min | 230 l/min | 5 bar |
| Hydraulic engine | - | 50 l/min | 200 bar |

| | NO. NOOZLE | MINIMUM FLOW RATE | MAXIMUM CAPACITY |
|-------------------|------------|-------------------|------------------|
| RSL/DT 175 | 11 | 110 l/min | 185 l/min |
| RSL/DT 200 | 13 | 115 l/min | 215 l/min |
| RSL/DT 225 | 15 | 135 l/min | 230 l/min |
| MTL 150 | 8 | 70 l/min | 145 l/min |
| MTL 175 | 8 | 70 l/min | 145 l/min |
| MTL 200 | 8 | 90 l/min | 170 l/min |
| MTL 225 | 10 | 135 l/min | 230 l/min |

ALL MACHINES CAN BE EQUIPPED WITH A **WATER INJECTION SYSTEM**

(EVEN AT A LATER DATE)

WATER SPRAY SYSTEM HIGH FLOW (WSS for MTM - MTH)

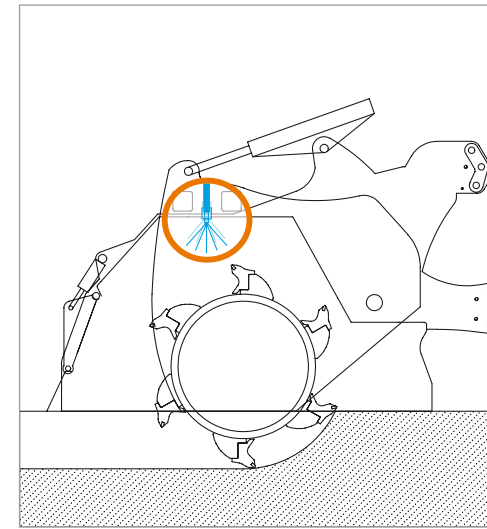
Thanks to the control panel and display showing the water flow rate, it is possible to easily monitor and adjust, from the tractor cab and in complete safety, the instantaneous value of the liters of water delivered and the overall value from the beginning of the operations.

Water dispensing ON (nozzle up) or OFF (nozzle down)

Panel display ON/OFF

Check Panel functions

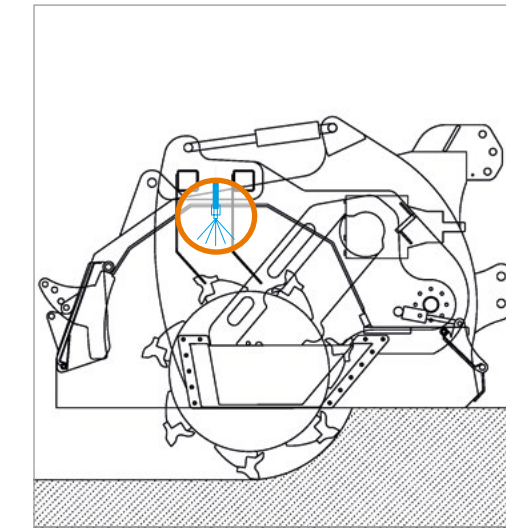
Water capacity adjustment (l/min)



MIXING FUNCTION

(only for stabilize machines or multitask machines)

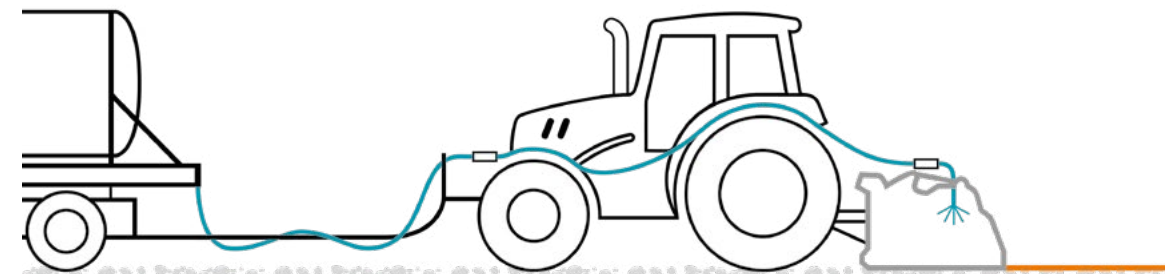
This function increases the moisture level in the soil, improves mixing with the stabilising agent during stabilisation operations and optimises the results of the consolidation work. It also helps to ensure proper compaction. This is the ideal solution even for liquid binders mixed directly in the mixing chamber.



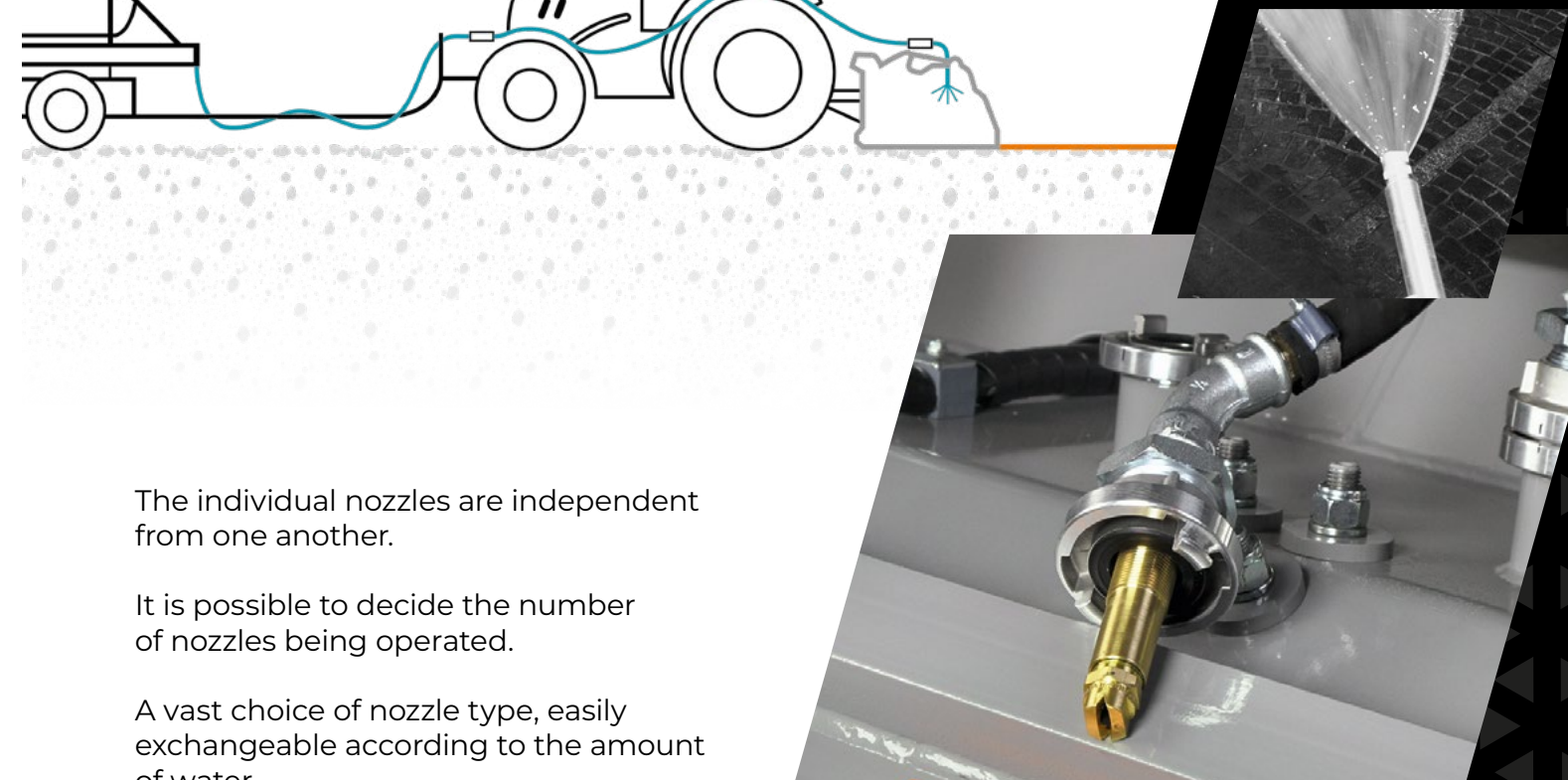
COOLING FUNCTION

(only for multitask machines)

This function reduces heat build up in the teeth during asphalt grinding operations, thus avoiding overheating of tools and other rotor parts. It greatly reduces tool wear and is recommended for asphalt, cement and very hard rock grinding.



| MTM - MTM/HP MTH - MTH/HP | CAPACITY FROM SINGLE NOZZLE AT 3 BAR | CAPACITY FROM SYSTEM |
|---|---|----------------------|
| Optional nozzle "1" (80° - 20 l/min) | 7.9 l/min | 65-110 l/min |
| Optional nozzle "2" (80° - 40 l/min) | 15.8 l/min | 115-235 l/min |
| Optional nozzle "3" (80° - 60 l/min) | 24 l/min | 150-330 l/min |
| Standard nozzle (80° - 100 l/min) | 39 l/min | 210-500 l/min |
| Optional nozzle "4" (80° - 150 l/min) | 59 l/min | 240-580 l/min |
| Optional nozzle "5" (80° - 200 l/min) | 79 l/min | 260-640 l/min |



The individual nozzles are independent from one another.

It is possible to decide the number of nozzles being operated.

A vast choice of nozzle type, easily exchangeable according to the amount of water.

HELPING YOU MAKE THE RIGHT CHOICES

FCS FULL CONTROL SYSTEM (FCS FOR MTM - MTH)

The FAE automatic injection system, FCS, is a cutting-edge system built for excellent supply and distribution of water and/or to stabilize the fluid binding agent. Using this intuitive system, the operator is able to establish the exact amount of fluid from the display, based on the road surface (l/m²) or mixing volume (l/m³).



SETTING STAGE

This allows you to choose the perfect nozzles for the job during the initial stages.



WORK STAGE

All of the machine's vital parameters are monitored and recorded.



ANALYSIS STAGE

The software lets you create a work report that can be easily saved to a USB drive (for example the number of m² or m³ processed, water flow, etc.).



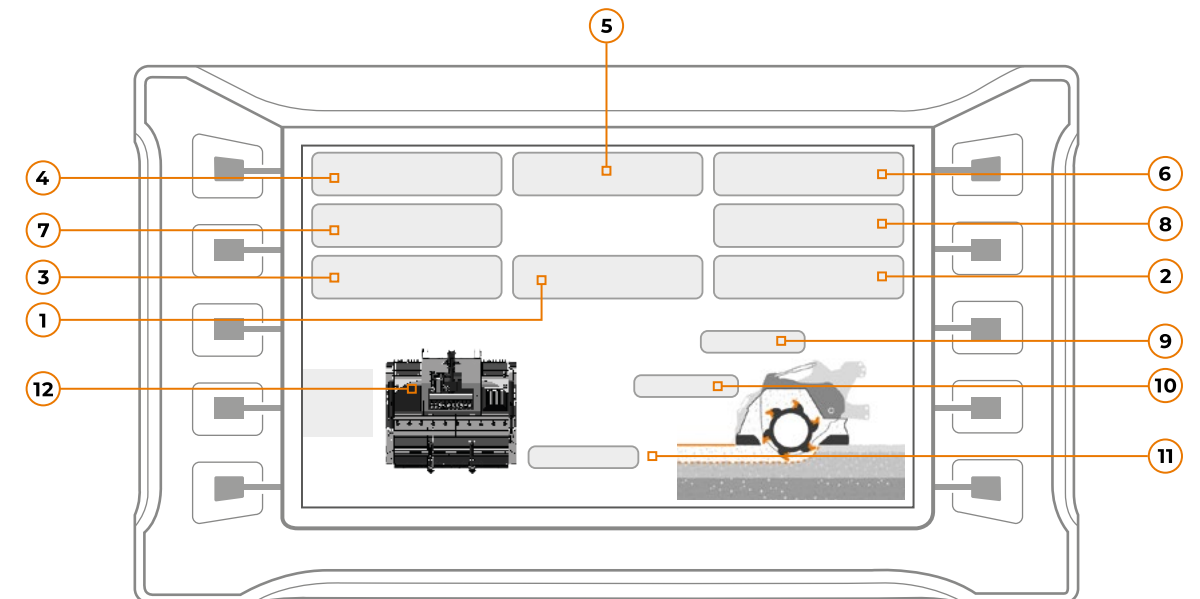
The advanced FCS is automatically calibrated according to the speed and depth of the job. The machine's sensors also ensure the correct, automatic operation of this cutting-edge system.

The material is mixed to the moisture ratio required to achieve perfect stabilization.

Compared to manual adjustment, the FCS leaves no room for error and ensure the best possible results in every application. The machine sensors ensure correct and automatic operation of this first-class system.

The system constantly monitors forward feed speed through the ISOBUS connection on the tractor, or via optional radar sensor, while other sensors control the working depth.

A magnetic flow meter ensure the capacity required.



- 1. Current speed
- 2. Current injection flow
- 3. Total flow from the start of the job
- 4. Area covered
- 5. Delivery requirement (l/m²)
- 6. Current delivery (l/m²)

- 7. Volume mixed
- 8. Current delivered (l/m³)
- 9. Rotor movement percentage
- 10. Percentage of rear panel opening
- 11. Working depth
- 12. Number of nozzles open

ALWAYS BY
YOUR SIDE
TO **MAKE THE
DIFFERENCE**



The technical data in this catalog may be altered without prior notice.
The information and images in this document are not binding.
The weight is approximate and refers to machine without options.
The data in this catalog must be confirmed by the sales department.
Photographs may include accessories and equipment not supplied as standard.
FAE GROUP S.p.A. reserves the right to make changes at any time, without prior warning.

