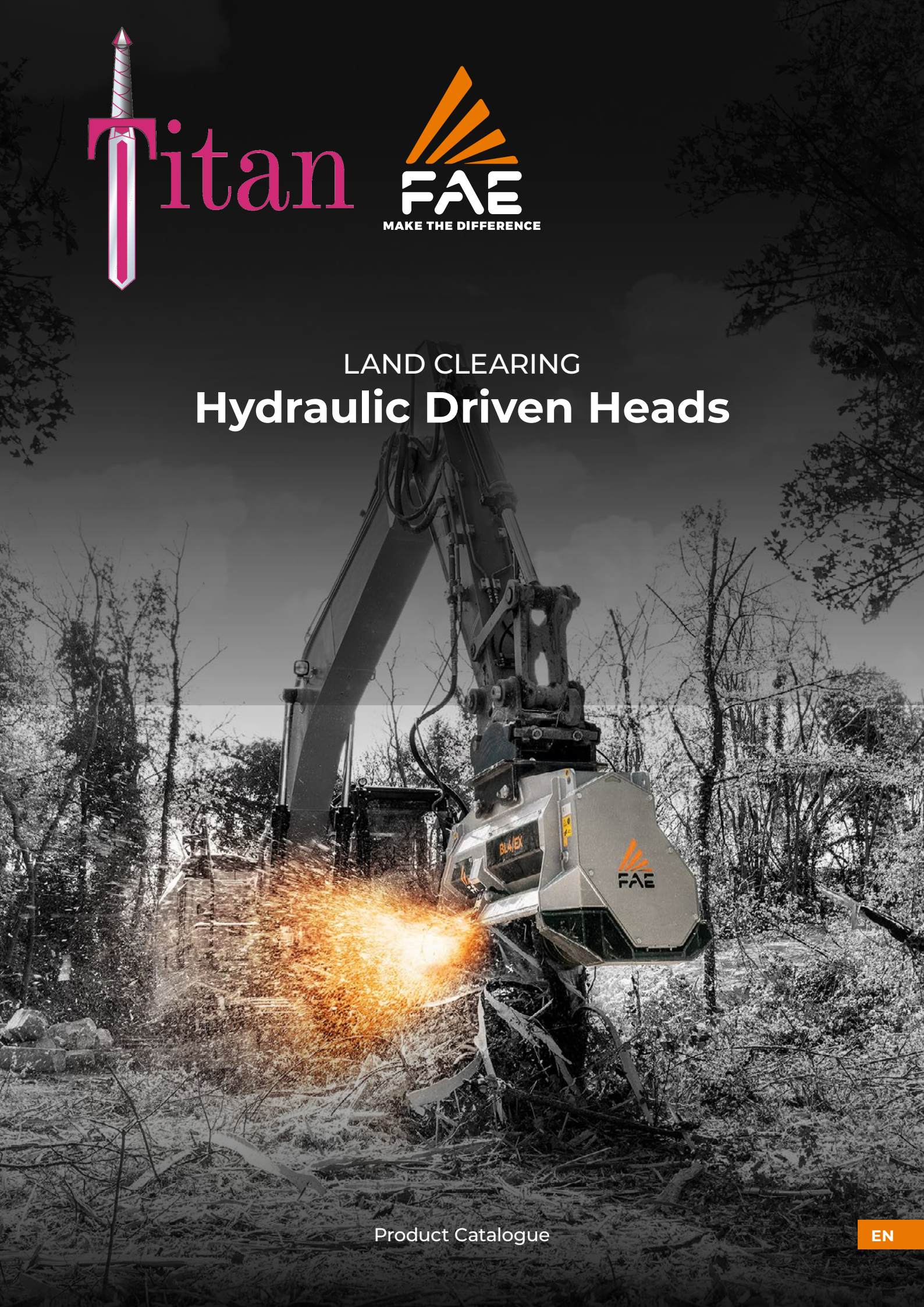


**Titan**



LAND CLEARING  
**Hydraulic Driven Heads**



- 6 ABOUT FAE**
- 8 MAKE THE DIFFERENCE**
- 10 RIGHT TO THE HEART OF POWER**
- 12 LAND CLEARING  
HYDRAULIC DRIVEN HEADS**
- 14 FORESTRY MULCHERS  
FOR SKID STEERS**
  - 18 PMM/SSL
  - 20 DML/SSL - DML/SSL/VT
  - 22 UML/SSL/VT - UML/SSL/SONIC - **NEW**
- 24 FORESTRY MULCHERS  
FOR EXCAVATORS**
  - 28 PML/HY
  - 30 PMM/HY
  - 32 PML/EX
  - 34 PMM/EX
  - 36 BL1/EX - BL1/EX/VT
  - 38 DML/HY - DML/HY/VT
  - 40 BL2/EX/VT - BL2/EX/SONIC - **NEW**
  - 42 UML/HY - UML/HY/VT -  
UML/HY/SONIC -FML/HY **NEW**
  - 44 BL3/EX/VT - BL3/EX/SONIC - **NEW**
  - 46 UML/EX/VT - UML/EX/SONIC - **NEW**
  - 48 BL4/EX/VT - BL4/EX/SONIC - **NEW**
  - 50 UML/S/EX/VT - UML/S/EX/SONIC - **NEW**
  - 52 BL5/EX/VT - BL5/EX/SONIC - **NEW**
  - 54 UMM/EX/VT - UMM/EX/SONIC -  
UMM/EX/VT/HP -  
UMM/EX/HP/SONIC - **NEW**
  - 56 UML/HY/RW - UML/HY/RW/VT -  
FML/HY/RW
- 58 STUMP CUTTERS  
FOR EXCAVATORS**
  - 62 SCL/HY
  - 64 SCL/EX/VT
  - 66 SCM/EX/VT
- 68 FORESTRY MULCHERS  
FOR SPECIAL VEHICLES**
  - 72 140/U
  - 73 200/U
  - 74 300/U
  - 75 500/U
- 76 FORESTRY TILLERS  
FOR SPECIAL VEHICLES**
  - 80 200/S
  - 81 300/S
- 82 STUMP CUTTERS  
FOR SPECIAL VEHICLES**
  - 86 300/SC
  - 87 500/SC
- 88 MULTITASKS FOR  
SPECIAL VEHICLES**
  - 92 SFM/PM
  - 93 SFH/PM
- 94 ORIGINAL FAE TOOLS**





## MAKE THE **DIFFERENCE**

At FAE, every machine, accessory and optional component is designed with utmost precision, the highest quality materials and the most advanced technology.

Each detail is designed to make the execution of the tasks as quick and efficient as possible and for the specific applications, conditions and environment where it will be carried out.

Every FAE machine and accessory was created to make a difference at work and, given the importance of many of the applications we work on, for the planet. This is why each member of our team, each partner and customer works daily.



## ABOUT **FAE**

With a range of over 90 products and 400 models, FAE can meet the most diverse demands for forestry, agricultural, road construction, building and demining applications. The FAE product range includes heads for tractors, excavators, skid steer loaders, special vehicles and tracked vehicles, with cabins or remote controlled. FAE was founded in 1989, and the company's main office is still located in Fondo, Italy. Production, sales, after-sales service and parts services are handled by our 4 production sites, the main office, 6 commercial branches and a network of authorized dealers all over the world.

### **GLOBAL QUALITY**

Our precision design and production processes use advanced technologies to ensure long-term performance and reliability.

### **CONSTANT INNOVATION**

We design unique and cutting-edge products based on customers' specific needs for solutions that pave the way to the future.

### **COMPLETE PRODUCT LINE**

We offer an extensive product range and a high degree of customization to make each process more efficient, more productive, and easier.

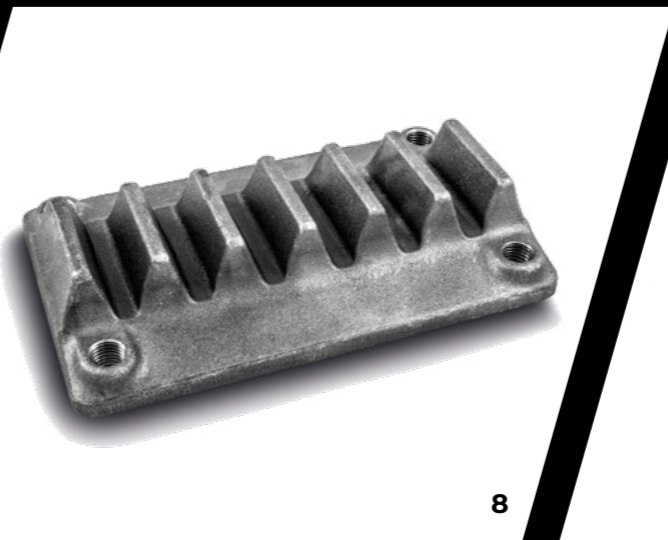
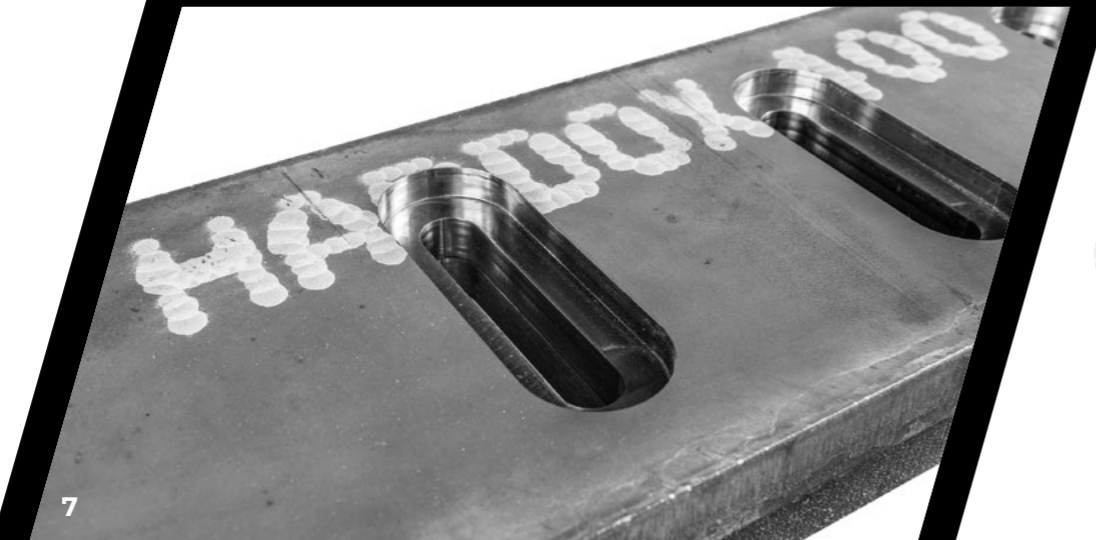
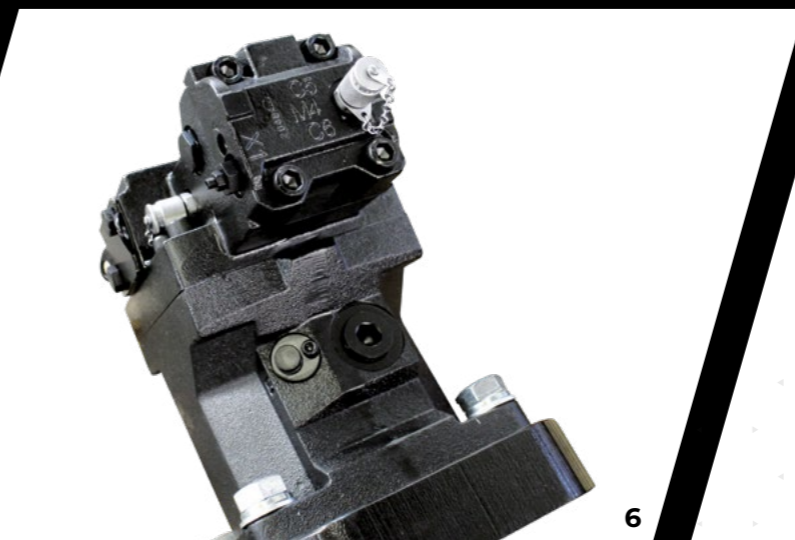
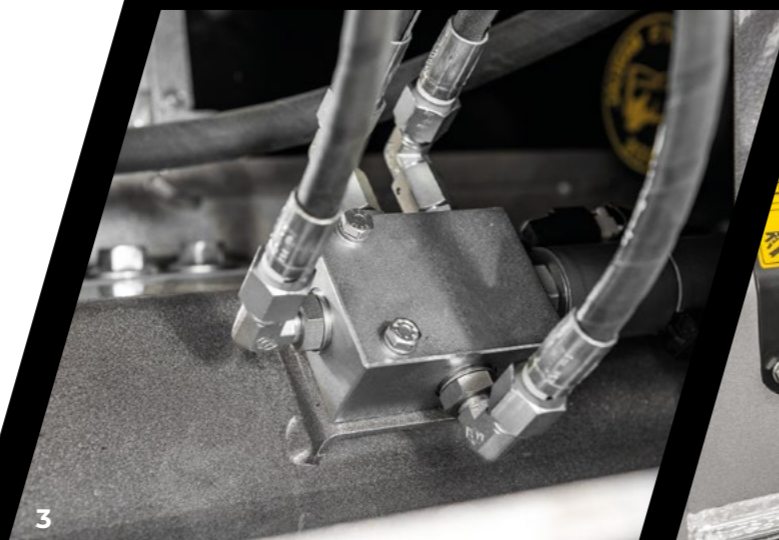
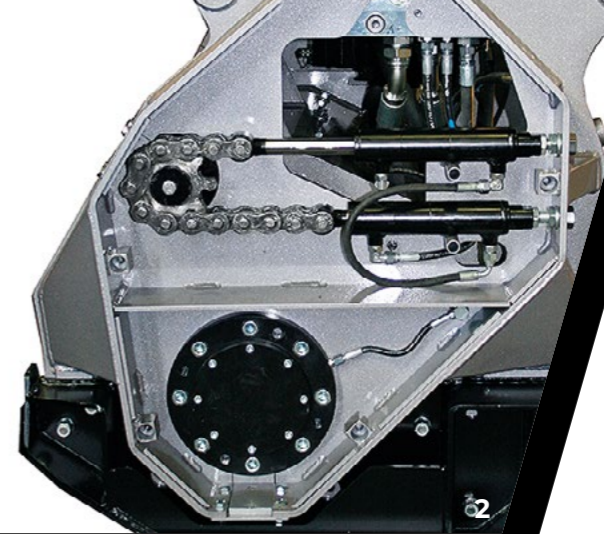
### **TOTAL SUPPORT**

We make our vast range of machines, dedicated accessories and components, as well as our technical assistance available worldwide.



# MAKE THE DIFFERENCE

Our machines are designed with special attention to detail. Starting from the technical design to our choice of high quality materials, our machines are highly resistant to wear and tear. The FAE brand is always recognized for its high quality standards.



- 1 / Blank attachment plate
- 2 / Enclosed hood drive system
- 3 / Valve block
- 4 / Service access panels
- 5 / Side guards
- 6 / VT Variable Torque motor
- 7 / Adjustable Hardox® counter-blade
- 8 / Forged and hardened interchangeable counterblades



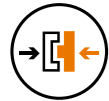
## Sonic System

Sonic System - Sonic is a smart and flexible system that makes it easy to quickly and automatically calibrate the mulcher's hydraulic parameters, ensuring perfect alignment with the operating machine. It boosts mulcher performance by 30%, supporting ultrafast rotor rpm pickup.



# RIGHT TO THE HEART OF THE POWER

The spiral rotor design reduces the power requirement



**EASIER ON THE ENGINE**



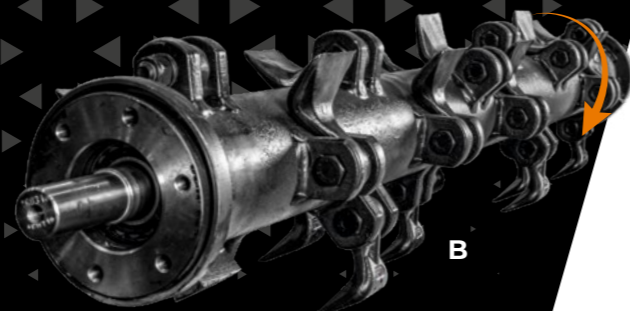
**MORE CONSISTENT  
FINAL PRODUCT SIZING**



**LESS FUEL  
CONSUMPTION**



**HIGHER  
PRODUCTIVITY**



## Forestry rotor with double carbide teeth

Ideal for heavy duty forestry applications (above ground mulching). Resistant to impact and wear. This rotor can be fitted with different tool types: C/3, C/3/HD, STCL/3, I, K, C/3 blade.



## Forestry rotor with single carbide teeth

Ideal for grinding stumps above and below ground. This rotor can be fitted with different tool types: A/3, A/3/HD, B/3, B/3/HD, F/3, G/3.



## Rock crusher rotor

To achieve perfect sizing of the final product in agriculture land reclamation. This rotor can be fitted with different tool types: STC/3, STC/3/HD, STC/3/FP.

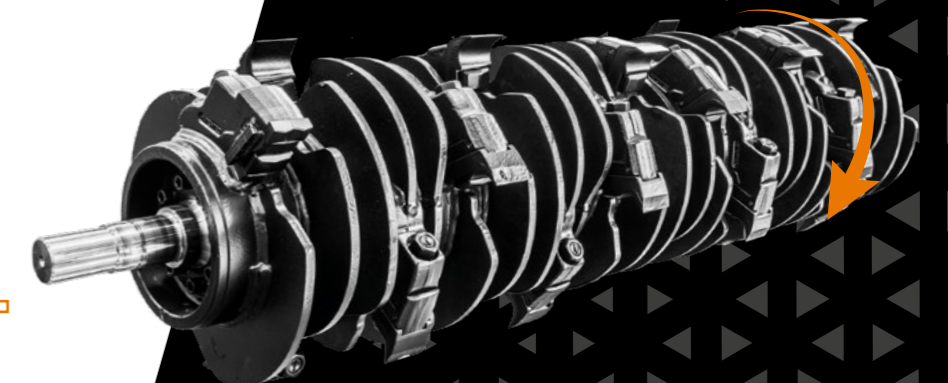


## Swinging hammer rotor

Ideal for applications with high presence of rocks. This rotor can be fitted with HAMMER FMM (A) - HAMMER PMM (B).

## Bite limiter

Special steel limiter rings control the depth of blade action.





# LAND CLEARING **HYDRAULIC DRIVEN HEADS**

Our hydraulic-driven heads for special vehicles, excavators or skid steers complete any task with ease. Forestry mulchers for skid steers and excavators, stump cutters for excavators, mulchers, tillers or stump cutters for special vehicles, and multi-task machines for special vehicles: all of our machines are built to meet your needs and guarantee superior performance, even in extreme conditions.





# FORESTRY MULCHERS FOR SKID STEERS

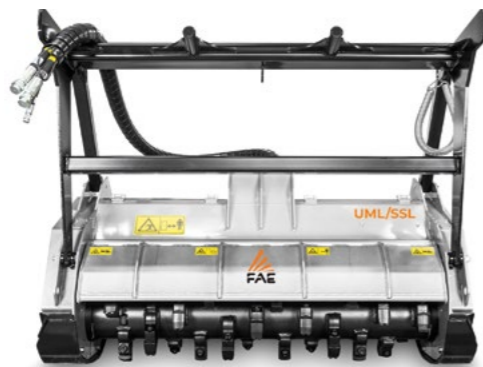
Our commercial grade, hydraulic driven mulchers for skid steers can be used for environmental maintenance, underbrush, branches, shrubs and stumps. It is ideal along the banks of rivers, canals, gas ducts, embankments, railway lines, etc.



**PMM/SSL**  
Brush mulcher with hammer/flail rotor for skid steers.



**DML/SSL - DML/SSL/VT**  
Forestry mulcher with fixed tooth rotor for skid steers.



**UML/SSL/VT - UML/SSL/SONIC**  
Forestry mulcher with fixed tooth rotor for skid steers.





# MULTIPURPOSE USES FOR EXCELLENT RESULTS.

MODEL	0 - 100 hp	100 - 200 hp
<b>PMM/SSL</b>	65 - 100 hp	
<b>DML/SSL DML/SSL/VT</b>	40 - 70 hp	
<b>UML/SSL/VT UML/SSL/SONIC</b>	75 - 120 hp	

# PMM/SSL

## Brush mulcher with hammer/flail rotor for skid steers.

A universal mulcher suitable for mulching saplings, bushes, crop residues and grass. Thanks to its "floating system", the mulcher's rotor adheres perfectly to the terrain, ensuring a homogeneous material after mulching. The support roller, larger in comparison to other attachments, guarantees the best performance

even on particularly damp terrain. The machine can be equipped with hammers for mulching material up to 8 cm diameter or grass flail to better respond to the various needs of the customer.



65-100 hp



Ø 8 cm max

**Steel counter-blades** helps mulch material into a smaller final size



**Self leveling protection flaps**



**Attachment plate with self leveling device** adapts to all types of terrain



**Self cleaning rear roller with integrated skids**



### STANDARD EQUIPMENT

32/65cc variable manual displacement hydraulic piston motor with relief and anticavitation valve	Self levelling protection rubber
Motor enclosed in the frame	Supporting service leg
Belt transmission	Welded counterblades
Hydraulic hoses	Self cleaning rear roller with integrated skids
Front hood with mechanical adjustment	Attachment plate with self levelling device
Adjustable skids	

### OPTIONS

Customized setting hydraulic motor	Possibility to have the rotor equipped with PML hammers or Y-flail
Stronger bearing for back roller	

MODEL	PMM/SSL 175	PMM/SSL 200
<b>Engine</b> (hp)	65-100	70-100
<b>Flow rate</b> (L/min)	56-125	56-125
<b>Pressure</b> (bar)	180-250	180-250
<b>Working width</b> (mm)	1780	2020
<b>Total width</b> (mm)	2000	2180
<b>Weight</b> (kg)	850	910
<b>Rotor diameter</b> (mm)	440	440
<b>Max shredding diameter</b> (mm)	80	80
<b>No. hammers</b> type PMM	22	24
<b>No. flail</b> type Y/3	22	24

Data refers to machine as standard. The technical data in this catalogue may be altered without prior notice.

### MAIN OPTIONS



Multiple flail



HAMMER PMM (standard)



FLAIL Y/3 (option)



## FORESTRY MULCHERS FOR SKID STEERS

# DML/SSL - DML/SSL/VT

### Forestry mulcher with fixed tooth rotor for skid steers.

The DML/SSL is the smallest of the FAE fixed tooth mulchers designed and manufactured to be utilized with skid steers up to 70 hp. The heavy duty construction of the frame makes it a long term investment, while the special design of the fixed tooth rotor allows a neat cut of the material and guarantees

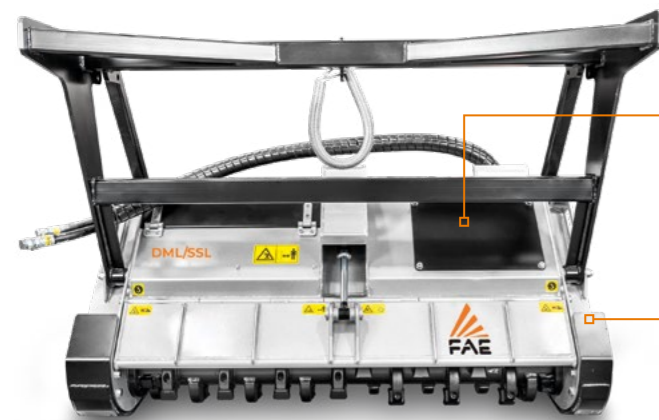
maximum reliability and high performance. The automatic variable displacement hydraulic motor with mechanical adjustment makes it the ideal solution for skid steers that are not equipped with a high flow system.



40-70 hp



Ø 12 cm max



**VT motor setting**  
adjustable motor to obtain the maximum performance out of any skid steer

**Steel counter-blades**  
helps mulch material into a smaller final size



**External pressure control Gauge**



**Diverter valve to control hood cylinder**  
to control the opening and closing of the hydraulic door



#### STANDARD EQUIPMENT

17/34cc variable manual displacement hydraulic piston motor with relief and anticavitation valve (45-105 L/min) (DML/SSL)	Hydraulic hoses
55/38cc variable torque hydraulic piston motor (60-115 L/min) (DML/SSL/VT)	Hydraulic rear hood
Diverter valve	Working pressure control gauge
Safety and anticavitation valve	Pushing frame
Enclosed / anti dust machine body	Protection chains
Motor enclosed in the frame	Welded counterblades
Belt transmission	

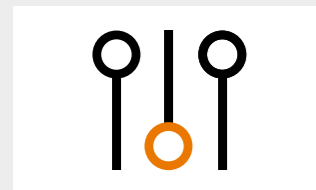
#### OPTIONS

32/65cc variable manual displacement hydraulic piston motor with relief and anticavitation valve (85-200 L/min) (DML/SSL)	Multiple tooth options
Customized setting hydraulic motor	

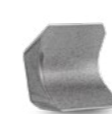
MODEL	DML/SSL 150	DML/SSL 175	DML/SSL/VT 150*	DML/SSL/VT 175*
<b>Engine (hp)</b>	40-70	40-70	40-70	40-70
<b>Flow rate (L/min)</b>	45-105	45-105	60-115	60-115
<b>Pressure (bar)</b>	180-250	180-250	180-350	180-350
<b>Working width (mm)</b>	1480	1720	1480	1720
<b>Total width (mm)</b>	1758	1998	1758	1998
<b>Weight (kg)</b>	785	885	785	885
<b>Rotor diameter (mm)</b>	300	300	300	300
<b>Max shredding diameter (mm)</b>	120	120	120	120
<b>No. blades type E</b>	36	42	36	42

Data refers to machine as standard. The technical data in this catalogue may be altered without prior notice.  
\*Variable displacement hydraulic motor.

#### MAIN OPTIONS



**Customized setting hydraulic motor (DML/SSL/VT)**



**BLADE E**  
(standard)



**BLADE E/HD**  
(option)



## NEW SONIC SYSTEM

### FORESTRY MULCHERS FOR SKID STEERS

# UML/SSL/VT - UML/SSL/SONIC

## Forestry mulcher with fixed tooth rotor for skid steers.

Robust and compact, the UML/SSL is renowned for its ergonomic design that guarantees excellent visibility for the operator during various situations. Thanks to the diverter valve kit option, it can be utilized with

any brand of skid steer on the market. The VT version with automatic variable displacement hydraulic motor increases productivity by up to 50% and simultaneously reduces fuel consumption.



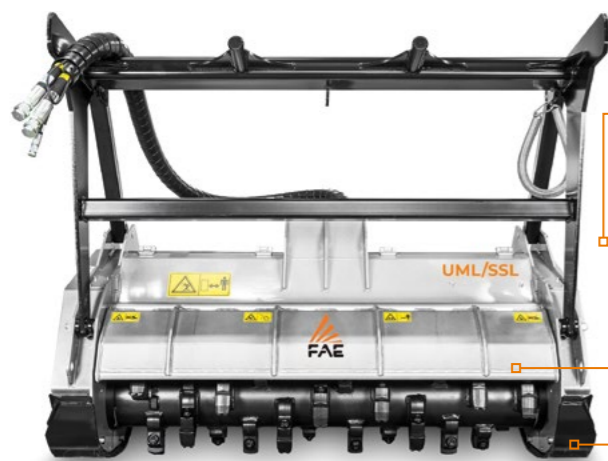
Sonic System



75-120 hp



Ø 20 cm max



**Reinforced frames**  
Provides extra protection from the power of the carrier

**Enclosed door drive**  
revolutionary system of door opening/ closing that prevents dirt from entering into the service areas of the machine



**Heavy duty adjustable skids**



**Sonic System**  
is a new automatic intelligent system that manages the hydraulic transmission. It makes the mulching machine to perform at the maximum capacity in all conditions (UML/SSL/SONIC)

**External pressure control Gauge**



**Poly-Chain® Carbon transmission belts**  
for solid power conversion and maximum productivity

**Double row protection chains**

knocks down the material exiting out the back, increasing safety



### STANDARD EQUIPMENT

110/60cc variable torque hydraulic piston motor (120-200 L/min) (UML/SSL/VT)	Hydraulic rear hood
110cc variable torque hydraulic piston motor (120-200 L/min) (UML/SSL/SONIC)	Adjustable skids
Safety and anticavitation valve	Working pressure control gauge
Enclosed / anti dust machine body	Pushing frame
Motor enclosed in the frame	Dual row protection chains
Diverter valve (UML/SSL/SONIC)	Welded counterblades
Poly Chain® belt transmission	Sonic System (UML/SSL SONIC)
Hydraulic hoses	

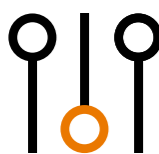
### OPTIONS

Customized setting hydraulic motor (UML/SSL/VT)	Multiple tooth options
Diverter valve (UML/SSL/VT)	Rotor Bite Limiter
Oil cooler kit	

MODEL	UML/SSL/VT 150*	UML/SSL/VT 175*	UML/SSL/SONIC 150	UML/SSL/SONIC 175
<b>Engine (hp)</b>	75-120	75-120	75-120	75-120
<b>Flow rate (L/min)</b>	120-200	120-200	120-200	120-200
<b>Pressure (bar)</b>	200-350	200-350	200-350	200-350
<b>Working width (mm)</b>	1580	1820	1580	1820
<b>Total width (mm)</b>	1880	2120	1880	2120
<b>Weight (kg)</b>	1300	1400	1300	1400
<b>Rotor diameter (mm)</b>	420	420	420	420
<b>Max shredding diameter (mm)</b>	200	200	200	200
<b>No. teeth type C/3+C/3/SS</b>	32+2	36+2	32+2	36+2
type I+C/3/SS	42+2	50+2	42+2	50+2

Data refers to machine as standard. The technical data in this catalogue may be altered without prior notice.  
\*Variable displacement hydraulic motor.

### MAIN OPTIONS



**VT motor**  
adjustable the motor to obtain the maximum performance from any skid steer within specifications



**Diverter valve to control hood cylinders (plug & play)**  
to control the opening and closing of the hydraulic door (UML/SSL/VT)



**Roof mounted cooler**  
for working in hot climates

### ROTOR TYPE C



**C/3**  
(standard)



**C/3/HD**  
(option)



**BL BLADE**  
(option)



**K/3**  
(option)

### ROTOR TYPE BL



**BL BLADE**  
(option)

### ROTOR TYPE I



**I**  
(option)



**C/3/SS**  
(side scraper)



# FORESTRY MULCHERS FOR EXCAVATORS

Our commercial grade hydraulic mulchers can be attached to excavators for reclamation and maintenance operations as well as in difficult conditions thanks in part to their manageability and ease of use. The heavy duty design and manufacturing of these attachments give them longer working lives.



**PML/HY**  
Mulcher with hammer/flail rotor for excavators.



**PMM/HY**  
Mulcher with hammer/flail rotor for excavators.



**PML/EX**  
Mulcher with hammer/flail rotor for excavators.



**PMM/EX**  
Mulcher with hammer/flail rotor for excavators.



**BL1/EX - BL1/EX/VT**  
Forestry mulcher with Bite Limiter rotor.



**DML/HY - DML/HY/VT**  
Forestry mulcher with fixed tooth rotor for excavators.



**BL2/EX/VT - BL2/EX/SONIC**  
Forestry mulcher with Bite Limiter rotor.



**UML/HY - UML/HY/VT - UML/HY/SONIC - FML/HY**  
Forestry mulcher with fixed tooth/swinging hammer rotor for excavators.



**BL3/EX/VT - BL3/EX/SONIC**  
Forestry mulcher with Bite Limiter rotor.



**UML/EX/VT - UML/EX/SONIC**  
Forestry mulcher with fixed tooth rotor for excavators.



**BL4/EX/VT - BL4/EX/SONIC**  
The mulcher for large excavators, with Bite Limiter technology.



**UML/S/EX/VT - UML/S/EX/SONIC**  
Forestry mulcher with fixed tooth rotor for excavators.



**BL5/EX/VT - BL5/EX/SONIC**  
The mulcher for largest excavators, with Bite Limiter technology.



**UMM/EX/VT - UMM/EX/SONIC - UMM/EX/VT/HP - UMM/EX/HP/SONIC**  
The FAE forestry mulchers for the most powerful excavators.



**UML/HY/RW - UML/HY/RW/VT - FML/HY/RW**  
Mulcher with fixed tooth/swinging hammer rotor for excavators.





# EFFICIENCY ALL THE WAY.

MODEL	1 - 10 t	10 - 20 t	20 - 30 t	30 - 40 t
PML/HY	1,5 - 3,5 t			
PMM/HY	3,5 - 5,5 t			
PML/EX	5,5 - 7,5 t			
PMM/EX	6 - 13 t			
BL1/EX BL1/EX/VT	4 - 7,5 t			
DML/HY DML/HY/VT	5 - 13 t			
BL2/EX/VT BL2/EX/SONIC	8 - 14 t			
UML/HY UML/HY/VT UML/HY/SONIC FML/HY	9 - 15 t			
BL3/EX/VT BL3/EX/SONIC	14 - 20 t			
UML/EX/VT UML/EX/SONIC	14 - 20 t			
BL4/EX/VT BL4/EX/SONIC	18 - 25 t			
UML/S/EX/VT UML/S/EX/SONIC	18 - 25 t			
BL5/EX/VT BL5/EX/SONIC	24 - 36 t			
UMM/EX/VT UMM/EX/SONIC UMM/EX/VT/HP UMM/EX/HP/SONIC	20 - 36 t			
UML/HY/RW UML/HY/RW/VT FML/HY/RW	6 - 10 t			



## FORESTRY MULCHERS FOR EXCAVATORS


# PML/HY

### FAE forestry mulcher for mini-excavators.

The PML/HY is FAE's smallest forestry mulcher head for excavators. It is perfect for clearing saplings and shredding brush up to 4 cm in diameter. The PML/HY forestry mulcher can come equipped with a standard 8 cc engine or an optional 16 cc engine, and can be mounted on 1.5-3.5 ton excavators.

The rotor on the PML/HY is available with two different types of teeth: the PML hammer or the Y/2 blade. Internal counterblades, flying debris protection, a rear roller, and steel construction provide professional quality and superior performance.

 19-60 L/min

 Ø 4 cm max

 1,5-3,5 t



Customized attachment bracket (optional)

Self-cleaning support roller



Enclosed machine body

Steel counter-blades helps mulch material into a smaller final size



#### STANDARD EQUIPMENT

8 cc gear motor with integrated anticavitation valve (19-40 L/min)	Self levelling protection rubber
Enclosed / anti dust machine body	Supporting service leg
Motor enclosed in the frame	Welded counterblades
Belt transmission	Rear roller
Hydraulic hoses	

#### OPTIONS

16 cc gear motor with integrated anticavitation valve (38-60 L/min)	Attachment plate with self levelling device
Flow control system valve (only for PML/HY-70 and PML/HY-90)	Possibility to have the rotor equipped with PML hammers or Y-flails
Customized attachment bracket with pins	

MODEL	PML/HY 50	PML/HY 70	PML/HY 90
Flow rate (L/min)	19-60	19-60	19-60
Pressure (bar)	150-210	150-210	150-210
Excavator weight (t)	1,5-3,5	2,0-3,5	2,5-3,5
Working width (mm)	500	700	900
Weight (kg)	180	195	210
Rotor diameter (mm)	360	360	360
Max shredding diameter (mm)	40	40	40
No. hammers type PML	8	10	14
No. flail type Y/2	8	10	14

Data refers to machine as standard. The technical data in this catalogue may be altered without prior notice.

#### MAIN OPTIONS



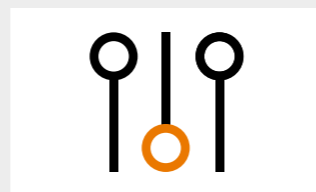
Customized attachment bracket



Attachment plate with self leveling device to adapt to all types of terrain



Possibility to have the rotor equipped with PML hammers or Y-flail



Customized setting hydraulic motor



HAMMER PML (standard)



FLAIL Y/2 (option)




## FORESTRY MULCHERS FOR EXCAVATORS


# PMM/HY

### Mulcher with hammer/flail rotor for excavators.

Thanks to its compact dimensions and versatility, the PMM/HY is the most requested model for grass and brush mulching in FAE's small mulcher lineup. The mulcher can be equipped with a standard 16cc motor or an optional 27cc motor for mounting on 3.5

to 5.5 ton excavators. The flow control valve ensures an easy and rapid mounting of the mulcher without adjustments or modifications to the hydraulic system of the excavator.

 38-120 L/min

 Ø 5 cm max

 3,5-5,5 t



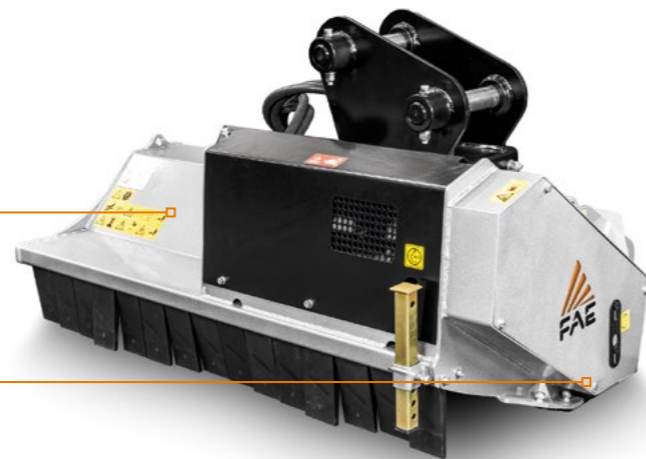
Customized attachment bracket (optional)

Self-cleaning support roller

Enclosed machine body



Steel counter-blades helps mulch material into a smaller final size



#### STANDARD EQUIPMENT

16 cc gear motor with integrated anticavitation valve (38-70 L/min)	Hydraulic hoses
Flow control system valve (only for 16 cc and 27 cc motors)	Self levelling protection rubber
Enclosed / anti dust machine body	Supporting service leg
Motor enclosed in the frame	Welded counterblades
Belt transmission	Rear roller

#### OPTIONS

27cc gear motor with integrated anticavitation valve (64-100 L/min)	Customized attachment bracket with pins
17/34 cc variable manual displacement hydraulic piston motor with relief and anticavitation valve (40-120 L/min) (250 bar)	Attachment plate with self levelling device
Customized setting hydraulic motor	Possibility to have the rotor equipped with PML hammers or Y-flails

MODEL	PMM/HY 100	PMM/HY 125
Flow rate (L/min)	38-120	38-120
Pressure (bar)	150-210	150-210
Excavator weight (t)	3,5-5,5	4,0-5,5
Working width (mm)	1016	1256
Weight (kg)	250	290
Rotor diameter (mm)	360	360
Max shredding diameter (mm)	50	50
No. hammers type PML	16	20
No. flail type Y/2	16	20

Data refers to machine as standard. The technical data in this catalogue may be altered without prior notice.

#### MAIN OPTIONS



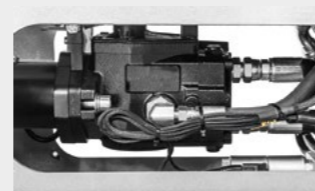
Customized attachment bracket



Attachment plate with self levelling device to adapt to all types of terrain



Possibility to have the rotor equipped with PML hammers or Y-flail



17/34cc variable manual displacement hydraulic piston motor with relief and anticavitation valve



HAMMER PML (standard)



FLAIL Y/2 (option)




# PML/EX

## Mulcher with hammer/flail rotor for excavators.

This mulcher can be equipped with a standard 27cc motor or an optional 38cc motor to mount to excavators ranging from 5.5 to 7.5 tons. There is also an optional 17/34cc variable manual displacement hydraulic motor with mechanical adjustment that

makes this model ideal for any excavator. The flow control valve ensures an easy and rapid mounting of the mulcher without adjustments or modifications to the hydraulic system of the excavator.

 64-130 L/min

 Ø 5 cm max

 5.5-7.5 t



Hydraulic hoses

Various types of hydraulic motors  
to adapt to different models of excavators

Anti dust machine body



### STANDARD EQUIPMENT

27 cc gear motor with integrated anticavitation valve (64-100 L/min)	Rear hood with mechanical adjustment
Flow control system valve (only for 27 cc and 38 cc motors)	Protection chains
Enclosed / anti dust machine body	Supporting service leg
Motor enclosed in the frame	Welded counterblades
Belt transmission	Rear roller
Hydraulic hoses	

### OPTIONS

38 cc gear motor with integrated anticavitation valve (90-130 L/min)	Customized attachment bracket with pins
17/34 cc variable manual displacement hydraulic piston motor with relief and anticavitation valve (40-120 L/min) (250 bar)	Attachment plate with self levelling device
Customized setting hydraulic motor	Possibility to have the rotor equipped with PML hammers or Y-flails

MODEL	PML/EX 100	PML/EX 125	PML/EX 150
Flow rate (L/min)	64-130	64-130	64-130
Pressure (bar)	180-210	180-210	180-210
Excavator weight (t)	5,5-7,5	6,0-7,5	6,5-7,5
Working width (mm)	1016	1256	1496
Weight (kg)	320	360	400
Rotor diameter (mm)	360	360	360
Max shredding diameter (mm)	50	50	50
No. hammers type PML	16	20	24
No. flail type Y/2	16	20	24

Data refers to machine as standard. The technical data in this catalogue may be altered without prior notice.

### MAIN OPTIONS



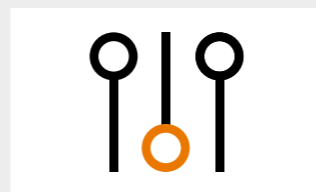
Customized attachment bracket



Attachment plate with self levelling device to adapt to all types of terrain



Possibility to have the rotor equipped with PML hammers or Y-flail



Customized setting hydraulic motor



HAMMER PML (standard)



FLAIL Y/2 (option)




# PMM/EX

## Mulcher with hammer/flail rotor for excavators.

The PMM/EX is a flail mower used to mulch underbrush, grass and bushes. It is equipped with a variable manual displacement hydraulic piston motor that can be set to the carrier's hydraulic specifications. The stronger roller supports (optional)

ensure the best performance and maximum reliability on difficult terrain. The flow control valve ensures minimal setup of the mulcher without adjustments or modifications to the hydraulic system of the excavator.


 85-155 L/min

 Ø 8 cm max

 6-13 t



**Steel counter-blades** helps mulch material into a smaller final size



**Self-cleaning support roller**

**Enclosed machine body**



**Stronger bearings for the support roller**



### STANDARD EQUIPMENT

32/65 cc variable manual displacement hydraulic piston motor with relief and anticavitation valve	Bulkhead for hydraulic connections
Flow control system valve	Rear hood with mechanical adjustment
Safety and anticavitation valve	Adjustable skids
Enclosed / anti dust machine body	Self levelling protection rubber
Motor enclosed in the frame	Welded counterblades
Belt transmission	Self cleaning rear roller with integrated skids

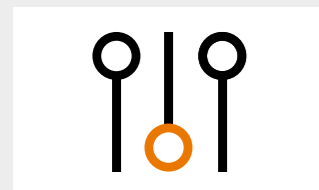
### OPTIONS

Customized setting hydraulic motor	Attachment plate with self levelling device
Customized attachment bracket with pins	Possibility to have the rotor equipped with PML hammers or Y-flails

MODEL	PMM/EX 100	PMM/EX 125	PMM/EX 150
<b>Flow rate</b> (L/min)	85-155	85-155	85-155
<b>Pressure</b> (bar)	180-250	180-250	180-250
<b>Excavator weight</b> (t)	6-13	6-13	6-13
<b>Working width</b> (mm)	1060	1300	1540
<b>Weight</b> (kg)	520	600	680
<b>Rotor diameter</b> (mm)	440	440	440
<b>Max shredding diameter</b> (mm)	80	80	80
<b>No. hammers</b> type PMM	12	16	18
<b>No. flails</b> type Y/3	12	16	18

Data refers to machine as standard. The technical data in this catalogue may be altered without prior notice.

### MAIN OPTIONS



**Customized setting hydraulic motor**



**Attachment plate with self levelling device** to adapt to all types of terrain



**Possibility to have the rotor equipped with PML hammers or Y-flail**



**HAMMER PMM** (standard)



**FLAIL Y/3** (option)



## FORESTRY MULCHERS FOR EXCAVATORS


# BL1/EX - BL1/EX/VT

### Forestry mulcher with Bite Limiter technology.

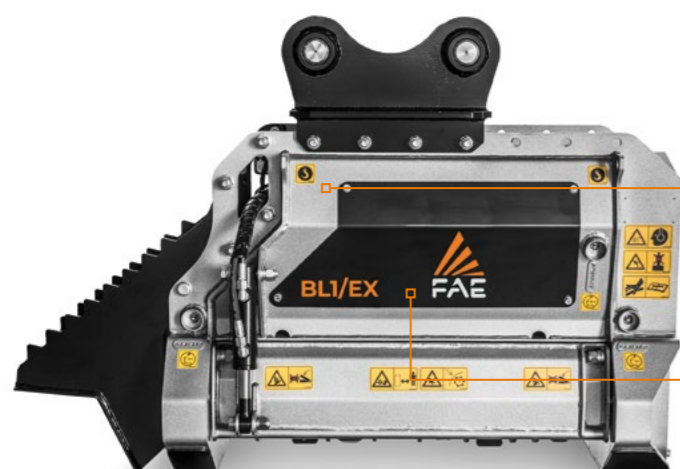
FAE introduces a new line of professional mulchers for excavators equipped with Bite Limiter technology. Special steel limiter rings limit the depth of blade action, reducing the demand for power, guaranteeing speed and exceptional performance. The BL1/EX - BL1/EX/VT (for 4-7.5 t excavators) has a 800 mm working width and can mulch logs up to 12 cm in diameter.

The piston engine (with manually controlled variable displacement) makes it easy to use this mulcher on different excavators with different oil flow rates. The BL1/EX-BL1/EX/VT has a rotor equipped with a heat-treated forged steel tooth holder, together with Type Mini BL blades. This light, compact mulcher is easy to maneuver and perfect for various types of forestry work.

 50-140 L/min

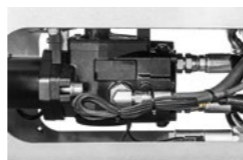
 Ø 12 cm max

 4-7,5 t



**Hydraulic front trap door**  
helps contain debris and achieves finer sizing (optional)

**Hydraulic piston motor with manual displacement control**  
integrated relief valve and anticavitation valve



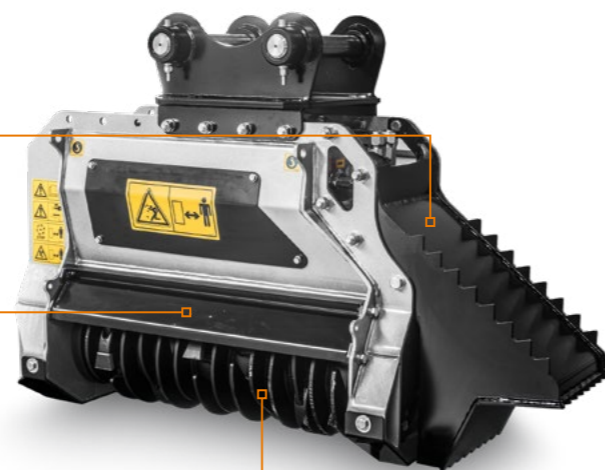
**Custom made thumb bracket**  
to move and reposition material



**Dedicated rear hood (deflector)**  
controls mulched material output for greater safety



**Bite Limiter rotor**  
special steel limiter rings control the depth of cut



#### STANDARD EQUIPMENT

17/34 cc variable manual displacement hydraulic piston motor with relief and anticavitation valve (50-130 L/min) (BL1/EX)	Belt transmission
55/38 cc variable torque hydraulic piston motor (65-140 L/min) (BL1/EX/VT)	Bulkhead for hydraulic connections
Flow control system valve	Front hood with mechanical adjustment
Safety and anticavitation valve	Rotor Bite Limiter
Enclosed / anti dust machine body	Dedicated rear hood (deflector)
Motor enclosed in the frame	

#### OPTIONS

Customized setting hydraulic motor	Front fixed thumb bracked
Diverter valve	Customized attachment bracket with pins
Hydraulic front hood	Multiple tooth options
Hydraulic front hood for excavator AUX line	

MODEL	BL1/EX-75	BL1/EX/VT-75
<b>Flow rate</b> (L/min)	50-130	65-140
<b>Pressure</b> (bar)	180-350	180-350
<b>Excavator weight</b> (t)	4-7,5	4-7,5
<b>Working width</b> (mm)	800	800
<b>Weight</b> (kg)	355	355
<b>Rotor diameter</b> (mm)	300	300
<b>Max shredding diameter</b> (mm)	120	120
<b>No. blades</b> type MINI BL	14	14

Data refers to machine as standard. The technical data in this catalogue may be altered without prior notice.

#### MAIN OPTIONS



**Attachment bracket**



**Excavator stand and thumb bracket**  
useful in moving material to be mulched



**Hydraulic front hood**

#### ROTOR TYPE BL



**BLADE MINI BL**  
(standard)



**MINI C/3**  
(option)



## FORESTRY MULCHERS FOR EXCAVATORS


# DML/HY - DML/HY/VT

### Forestry mulcher with fixed tooth rotor for excavators.

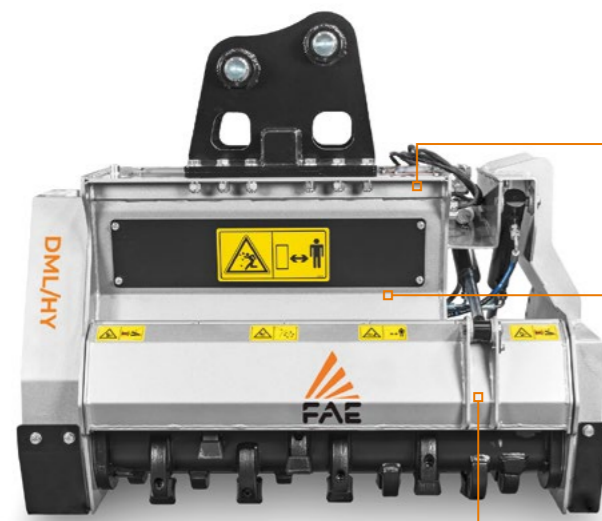
The DML/HY is the smallest, most versatile fixed hammer excavator mulcher on the market. The VT automatic variable displacement hydraulic motor avoids any adjustment of the hydraulic levels on the excavator it is mounted too.

Both doors can be activated mechanically or hydraulically (optional) to allow for the mulching of trees (front door) and fine and fibrous material that does not require preventive removal (rear door).

 50-135 L/min

 Ø 12 cm max

 5-13 t



**VT motor**  
to increase performance  
and reduce operating costs



**Steel counter-blades**  
helps mulch material into a smaller final size



**Hydraulic rear hood**  
(optional)

**Hydraulic hood systems**  
(front and rear optional) for excellent mulching  
when operating in either direction

**Flow control valve**  
to protect the motor  
from excessive flow

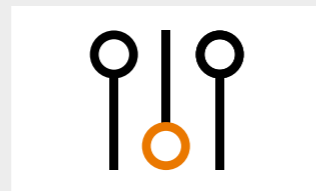
### MAIN OPTIONS



**Customized attachment bracket**



**Diverter valve system**  
to control the opening and  
closing of the front and rear  
hydraulic door



**Customized setting hydraulic motor**



**Customized attachment bracket with fixed thumb**

### STANDARD EQUIPMENT

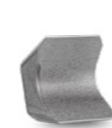
17/34 cc variable manual displacement hydraulic piston motor with relief and anticavitation valve (50-124 L/min) (DML/HY)	Bulkhead for hydraulic connections
55/38 cc variable torque hydraulic piston motor (80-135 L/min) (DML/HY/VT)	Front hood with mechanical adjustment
Flow control system valve	Rear hood with mechanical adjustment
Safety and anticavitation valve	Protection chains
Enclosed / anti dust machine body	Supporting service leg
Motor enclosed in the frame	Welded counterblades
Belt transmission	

### OPTIONS

32/65 cc variable manual displacement hydraulic piston motor with relief and anticavitation valve (105-200 L/min) (DML/HY)	Hydraulic front hood
Customized setting hydraulic motor	Customized attachment bracket with pins
Diverter valve	Customized attachment bracket with pins and leg
Hydraulic rear hood	Multiple tooth options

MODEL	DML/HY 75	DML/HY 100	DML/HY 125	DML/HY/VT 75*	DML/HY/VT 100*	DML/HY/VT 125*
<b>Flow rate</b> (L/min)	50-124	50-124	50-124	80-135	80-135	80-135
<b>Pressure</b> (bar)	180-250	180-250	180-250	180-350	180-350	180-350
<b>Excavator weight</b> (t)	5-13	5-13	5-13	5-13	5-13	5-13
<b>Working width</b> (mm)	800	1000	1240	800	1000	1240
<b>Weight</b> (kg)	415	445	515	420	450	520
<b>Rotor diameter</b> (mm)	300	300	300	300	300	300
<b>Max shredding diameter</b> (mm)	120	120	120	120	120	120
<b>No. blades</b> type E	20	24	30	20	24	30

Data refers to machine as standard. The technical data in this catalogue may be altered without prior notice.  
\*Variable displacement hydraulic motor.



**BLADE E**  
(standard)



**BLADE E/HD**  
(option)



## NEW SONIC SYSTEM

### FORESTRY MULCHERS FOR EXCAVATORS

# BL2/EX/VT - BL2/EX/SONIC

## The mulcher with Bite Limiter technology for small and midsize excavators

BL2/EX for 8-14 ton midsize excavators mulches trees with a max. diameter of 15 cm and is available in two working widths: 100 cm and 124 cm. The rotor features Bite Limiter technology. Steel profiles limit the teeth depth of action, which reduces power demand and guarantees speed and

exceptional performance every time. Two types of fixed teeth can be used with the rotor: Mini BL blades and Mini C/3 teeth. BL2/EX has a VT (Variable Torque) motor for noticeably better performance, increased torque when needed, and minimal risk of rotor stalling.



Sonic System



100-140 L/min



Ø 15 cm max



8-14 t



**Hydraulic piston motor**  
Variable displacement  
(VT Variable torque)



**Hydraulic front trap door**  
helps contain debris and achieves finer sizing (optional)



#### Sonic System

is a new automatic intelligent system that manages the hydraulic transmission. It makes the mulching machine to perform at the maximum capacity in all conditions (BL2/EX/SONIC)

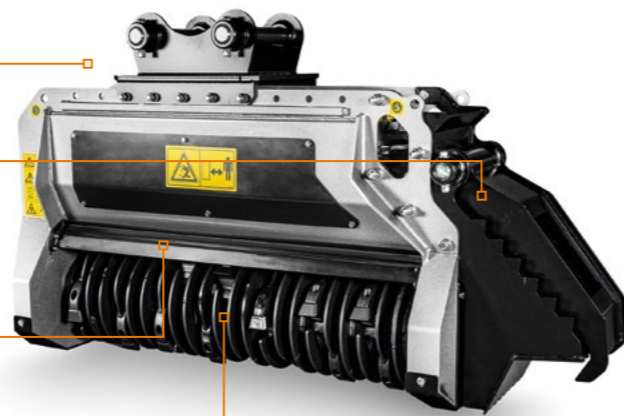
**Custom made thumb bracket**  
to move and reposition material



**Dedicated rear hood (deflector)**  
controls mulched material output for greater safety



**Bite Limiter rotor**  
special steel limiter rings control the depth of cut



## MAIN OPTIONS



**Attachment bracket**



**Thumb bracket and hydraulic thumb**  
useful in moving material to be mulched



**Hydraulic front hood**  
for optimal mulching, reduces the ejection of mulched material

## STANDARD EQUIPMENT

55/38cc variable torque hydraulic piston motor (BL2/EX/VT)	Motor enclosed in the frame
55cc variable torque hydraulic piston motor (BL2/EX/SONIC)	Belt transmission
Flow control system valve	Bulkhead for hydraulic connections
Diverter valve	Bite Limiter rotor
Hydraulic front hood	Dedicated rear hood (deflector)
Safety and anticavitation valve	Sonic System (BL2/EX/SONIC)
Enclosed / anti dust machine body	

## OPTIONS

Customized setting hydraulic motor (BL2/EX/VT)	Customized attachment bracket with pins
Hydraulic front hood for excavator AUX line (BL2/EX/VT)	Customized attachment bracket with pins and leg
Front fixed thumb bracketed	Multiple tooth options
Hydraulic thumb	

MODEL	BL2/EX/VT 100	BL2/EX/VT 125	BL2/EX/SONIC 100	BL2/EX/SONIC 125
<b>Flow rate</b> (L/min)	100-140	100-140	100-140	100-140
<b>Pressure</b> (bar)	180-350	180-350	180-350	180-350
<b>Excavator weight</b> (t)	8-14	8-14	8-14	8-14
<b>Working width</b> (mm)	1000	1240	1000	1240
<b>Weight</b> (kg)	570	625	570	625
<b>Rotor diameter</b> (mm)	360	360	360	360
<b>Max shredding diameter</b> (mm)	150	150	150	150
<b>No. blades</b> type MINI BL	18	22	18	22

Data refers to machine as standard. The technical data in this catalogue may be altered without prior notice.

## ROTOR TYPE BL



**BLADE MINI BL**  
(standard)



**MINI C/3**  
(option)



## NEW SONIC SYSTEM

### FORESTRY MULCHERS FOR EXCAVATORS

# UML/HY - UML/HY/VT - UML/HY/SONIC - FML/HY

Forestry mulcher with fixed tooth rotor (UML/HY) or swinging hammer rotor (FML/HY) for excavators.

With its updated design, the UML/HY has increased its strength and durability. The addition of the VT motor option has made the UML/HY/VT one of the most productive units in its class. The hydraulic motor is internally positioned in the frame to protect it

from dirt and potential damage, ensuring maximum reliability throughout the life of the attachment. The VT version with automatic variable displacement hydraulic motor increases productivity by up to 50% and simultaneously reduces fuel consumption.



Sonic System



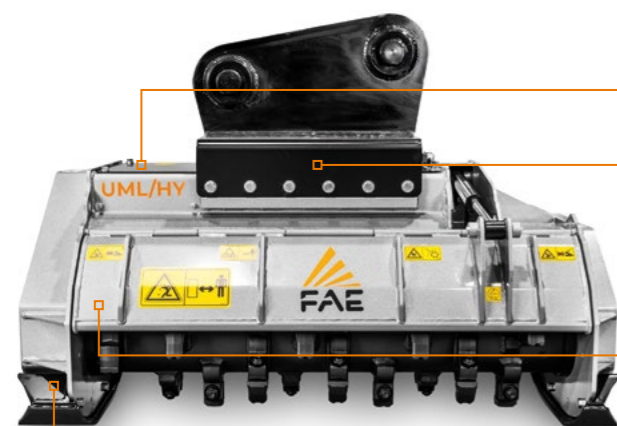
90-170 L/min



Ø 15 cm max



9-15 t



**Motor enclosed frame**  
protected from dirt and damage

**Customized attachment bracket with pins** (optional)

**Flow control valve**  
to protect the motor from excessive flow



**Steel counter-blades**  
helps mulch material into a smaller final size



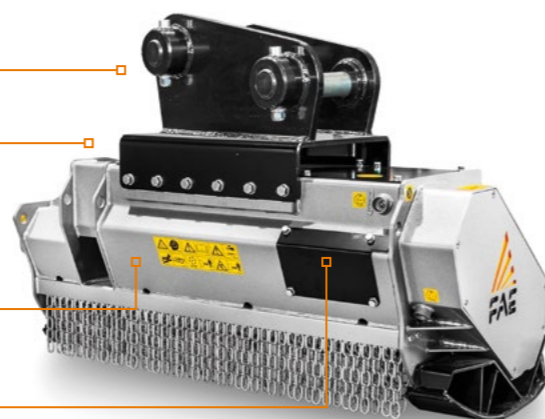
**Sonic System**  
is a new automatic intelligent system that manages the hydraulic transmission. It makes the mulching machine to perform at the maximum capacity in all conditions (UML/HY/SONIC)

**Fixed tooth rotor (UML/HY) or swinging hammers rotor (FML/HY)**



**Hydraulic piston motor**  
from 32 to 65 cc with relief and anticavitation valve (UML/HY)

**80/50cc variable torque hydraulic piston motor**  
(UML/HY/VT)



## MAIN OPTIONS



**Diverter valve**  
to control the opening and closing of the hydraulic door



**Customized attachment bracket with fixed thumb**



**Bite Limiter rotor**  
Special steel limiter rings control the depth of blade action (UML/HY/VT)

## STANDARD EQUIPMENT

32/65cc variable manual displacement hydraulic piston motor with relief and anticavitation valve (90-170 L/min) (UML/HY - FML/HY)	80cc variable torque hydraulic piston motor (100-145 L/min) (UML/HY/SONIC)
80/50cc variable torque hydraulic piston motor (100-145 L/min) (UML/HY/VT)	Motor enclosed in the frame
Belt transmission (UML/HY - FML/HY)	Poly Chain® belt transmission (UML/HY/VT - UML/HY/SONIC)
Flow control system valve	Bulkhead for hydraulic connections
Diverter valve (UML/HY/SONIC)	Dual row protection chains
Hydraulic rear hood	Welded counterblades
Safety and anticavitation valve	Sonic System (UML/HY/SONIC)
Enclosed / anti dust machine body	

## OPTIONS

Customized setting hydraulic motor (UML/HY - UML/HY/VT - FML/HY)	Customized attachment bracket with pins and leg
Diverter valve (UML/HY - UML/HY/VT - FML/HY)	Multiple tooth options
Rear hood with mechanical adjustment (UML/HY - UML/HY/VT - FML/HY)	Rotor Bite Limiter (UML/HY/VT - UML/HY/SONIC)
Customized attachment bracket with pins	

MODEL	UML/HY 100	UML/HY 125	UML/HY 150	UML/HY/VT 100*	UML/HY/VT 125*	UML/HY/VT 150*	UML/HY/SONIC 100	UML/HY/SONIC 125	UML/HY/SONIC 150	FML/HY 125
<b>Flow rate</b> (L/min)	90-170	90-170	90-170	100-145	100-145	100-145	100-145	100-145	100-145	90-170
<b>Pressure</b> (bar)	180-250	180-250	180-250	180-350	180-350	180-350	180-350	180-350	180-350	180-350
<b>Excavator weight</b> (t)	9-15	10-15	11-15	9-15	10-15	11-15	9-15	10-15	11-15	10-15
<b>Working width</b> (mm)	1102	1342	1582	1102	1342	1582	1102	1342	1582	1342
<b>Weight</b> (kg)	840	880	1050	850	890	1060	850	890	1060	880
<b>Rotor diameter</b> (mm)	420	420	420	420	420	420	420	420	420	420
<b>Max shredding diameter</b> (mm)	150	150	150	150	150	150	150	150	150	150
<b>No. teeth</b> type C/3+C/3/SS	20+2	26+2	32+2	20+2	26+2	32+2	20+2	26+2	32+2	-
type I+C/3/SS	28+2	36+2	42+2	28+2	36+2	42+2	28+2	36+2	42+2	-
<b>No. hammers</b> type FML	-	-	-	-	-	-	-	-	-	20

Data refers to machine as standard. The technical data in this catalogue may be altered without prior notice. \*Variable displacement hydraulic motor.

## ROTOR TYPE C



**C/3**  
(standard)



**C/3/HD**  
(option)



**BL BLADE**  
(option)



**K/3**  
(option)

## ROTOR TYPE BL



**BL BLADE**  
(option)

## ROTOR TYPE I



**I**  
(option)



**C/3/SS**  
(side scraper)



**HAMMER FML**  
(standard)



## NEW SONIC SYSTEM

### FORESTRY MULCHERS FOR EXCAVATORS

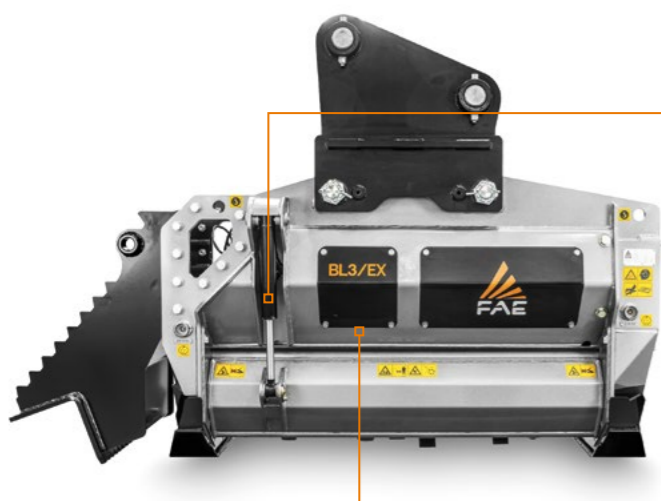
# BL3/EX/VT - BL3/EX/SONIC

## The mulcher with Bite Limiter technology for large and midsize excavators

BL3/EX for 14-20 ton excavators mulches trees with a max. diameter of 20 cm and is available in two working widths: 134 cm and 158 cm. The rotor features Bite Limiter technology. Steel limiter rings limit the depth of cut, which reduces power demand and guarantees speed and exceptional performance.

The heat-treated forged-steel BL blades are durable and can be sharpened, lowering operating costs. BL3/EX has a 110/60 cc VT (Variable Torque) motor for noticeably better performance, increased torque when needed, and minimal risk of rotor stalling.

-  Sonic System
-  120-210 L/min
-  Ø 20 cm max
-  14-20 t



**Hydraulic front hood**  
for optimal mulching, reduces the ejection of mulched material (optional)

**Spike PRO counter-blade**  
the distribution of the new Spike PRO counter-blades inside the shredding chamber guarantees a better finish of the mulched material



**Hydraulic piston motor**  
Variable Torque (VT)



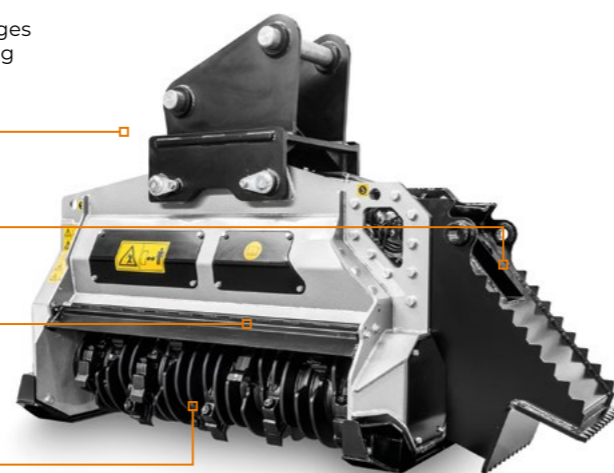
**Sonic System**  
is a new automatic intelligent system that manages the hydraulic transmission. It makes the mulching machine to perform at the maximum capacity in all conditions (BL3/EX/SONIC)

**Thumb bracket and hydraulic thumb**  
useful in moving material to be mulched (optional)

**Adjustable material deflector**  
controls mulched material output for greater safety



**Bite Limiter rotor**  
special steel limiter rings control the depth of cut



### STANDARD EQUIPMENT

110/60cc variable torque hydraulic piston motor (120-210 L/min) (BL3/EX/VT)	Bulkhead for hydraulic connections
110cc variable torque hydraulic piston motor (120-210 L/min) (BL3/EX/SONIC)	Hydraulic front hood
Flow control system valve	Dedicated rear hood (deflector)
Diverter valve	Adjustable skids
Safety and anticavitation valve	Spike Pro counter-blade
Enclosed / anti dust machine body	Rotor Bite Limiter
Motor enclosed in the frame	Sonic System (BL3/EX/SONIC)
Poly Chain® belt transmission	

### OPTIONS

Customized setting hydraulic motor (BL3/EX/VT)	Hydraulic thumb
Hydraulic front hood for excavator AUX line (BL3/EX/VT)	Customized attachment bracket with pins
Front fixed thumb bracked	

MODEL	BL3/EX/VT 125	BL3/EX/VT 150	BL3/EX/SONIC 125	BL3/EX/SONIC 150
<b>Flow rate</b> (L/min)	120-210	120-210	120-210	120-210
<b>Pressure</b> (bar)	180-350	180-350	180-350	180-350
<b>Excavator weight</b> (t)	14-20	14-20	14-20	14-20
<b>Working width</b> (mm)	1342	1582	1342	1582
<b>Weight</b> (kg)	1295	1370	1295	1370
<b>Rotor diameter</b> (mm)	420	420	420	420
<b>Max shredding diameter</b> (mm)	200	200	200	200
<b>No. blades</b> type BL + C/3/SS	20+2	24+2	20+2	24+2

Data refers to machine as standard. The technical data in this catalogue may be altered without prior notice.

### MAIN OPTIONS



**Customized attachment bracket**



**Thumb bracket and hydraulic thumb**  
useful in moving material to be mulched

### ROTOR TYPE BL



**BL BLADE**  
(standard)



**C/3/SS**  
(side scraper)



## NEW SONIC SYSTEM

### FORESTRY MULCHERS FOR EXCAVATORS

# UML/EX/VT - UML/EX/SONIC

Forestry mulcher with fixed tooth rotor for excavators.

Thanks to its size, heavy duty construction, reliability and performance, the UML/EX is one of FAE's most popular attachments. The enclosed hydraulic door

opening and closing system creates a completely enclosed frame that protects the internal components from dust and debris.

-  Sonic System
-  130-210 L/min
-  Ø 20 cm max
-  14-20 t



**Hydraulic controlled hood**  
revolutionary system for door opening/closing that prevents dirt from entering into the service areas of the machine

**Steel counter-blades**  
helps mulch material into a smaller final size

**Sonic System**  
is a new automatic intelligent system that manages the hydraulic transmission. It makes the mulching machine to perform at the maximum capacity in all conditions (UML/EX/SONIC)

**Flow control valve**  
to protect the motor from excessive flow

**Customized attachment bracket with fixed thumb**  
(optional)

**VT motor**  
adjustable motor to obtain the maximum performance out of any excavator

#### STANDARD EQUIPMENT

110/60cc variable torque hydraulic piston motor (130-210 L/min) (UML/EX/VT)	Poly Chain® belt transmission
110cc variable torque hydraulic piston motor (130-210 L/min) (UML/EX/SONIC)	Bulkhead for hydraulic connections
Flow control system valve	Hydraulic rear hood
Diverter valve (UML/EX/SONIC)	Screwed protection chains
Safety and anticavitation valve	Welded counterblades
Enclosed / anti dust machine body	Sonic System (UML/EX/SONIC)
Motor enclosed in the frame	

#### OPTIONS

Customized setting hydraulic motor (UML/EX/VT)	Customized attachment bracket with pins and leg
Diverter valve (UML/EX/VT)	Multiple tooth options
Customized attachment bracket with pins	Rotor Bite Limiter

MODEL	UML/EX/ VT 100	UML/EX/ VT 125	UML/EX/ VT 150	UML/EX/ SONIC 100	UML/EX/ SONIC 125	UML/EX/ SONIC 150
<b>Flow rate</b> (L/min)	130-210	130-210	130-210	130-210	130-210	130-210
<b>Pressure</b> (bar)	220-350	220-350	220-350	220-350	220-350	220-350
<b>Excavator weight</b> (t)	14-20	14-20	14-20	14-20	14-20	14-20
<b>Working width</b> (mm)	1102	1342	1582	1102	1342	1582
<b>Weight</b> (kg)	1090	1170	1280	1090	1170	1280
<b>Rotor diameter</b> (mm)	420	420	420	420	420	420
<b>Max shredding diameter</b> (mm)	200	200	200	200	200	200
<b>No. teeth</b> type C/3+C/3/SS	20+2	26+2	32+2	20+2	26+2	32+2
type I+C/3/SS	28+2	36+2	42+2	28+2	36+2	42+2

Data refers to machine as standard. The technical data in this catalogue may be altered without prior notice.

#### MAIN OPTIONS



**Bite Limiter rotor**  
additional reinforced side plates for extreme conditions



**Diverter valve**  
to control the opening and closing of the hydraulic door (UML/EX/VT)



**Customized attachment bracket with fixed thumb**

#### ROTOR TYPE C



**C/3**  
(standard)



**C/3/HD**  
(option)



**BL BLADE**  
(option)



**K/3**  
(option)

#### ROTOR TYPE BL



**BL BLADE**  
(option)

#### ROTOR TYPE I



**I**  
(option)



**C/3/SS**  
(side scraper)



## NEW SONIC SYSTEM

### FORESTRY MULCHERS FOR EXCAVATORS

# BL4/EX/VT - BL4/EX/SONIC

## The mulcher for large excavators, with Bite Limiter technology.

The BL4/EX for 18-25 ton excavators mulches trees up to 30 cm in diameter and comes in two working widths: 135 cm and 160 cm.

The BL4/EX is ideal for handling and removing vegetation in wooded areas, especially for jobs that require a large shredding capacity and speed.

The rotor features Bite Limiter technology. Steel limiter rings limit the reach (bite) of the teeth, reducing the amount of power needed and guaranteeing constant working speed and excellent performance. The heat-treated forged-steel BL blades are made to last and can be sharpened to keep operating costs lower.



Sonic System



145-300 L/min



Ø 30 cm max



18-25 t



**VT motor**  
automatic torque increase

**Diverter valve**  
for hydraulic control of the hood

**Spike PRO counter-blades**  
for finer mulched material



#### Sonic System

is a new automatic intelligent system that manages the hydraulic transmission. It makes the mulching machine to perform at the maximum capacity in all conditions (BL4/EX/SONIC)

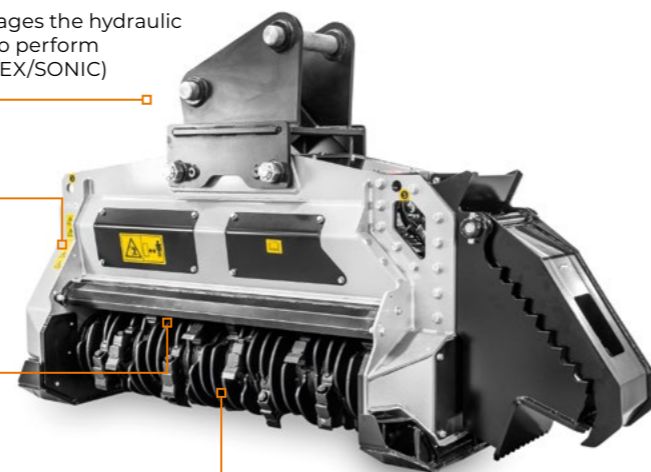
**Poly-Chain® belt drive transmission**  
optimal power transfer



**Dedicated rear hood (deflector)**  
controls mulched material output for greater safety



**Rotor with Bite Limiter technology**  
maximum productivity using the least amount of power



## MAIN OPTIONS



**Thumb bracket with hydraulic thumb**  
for handling material

### STANDARD EQUIPMENT

110/60cc variable torque hydraulic piston motor (145-240 L/min) (BL4/EX/VT)	Bulkhead for hydraulic connections
110cc variable torque hydraulic piston motor (145-240 L/min) (BL4/EX/SONIC)	Hydraulic front hood
Flow control system valve	Dedicated rear hood (deflector)
Diverter valve	Adjustable skids
Safety and anticavitation valve	Spike Pro counter-blade
Enclosed / anti dust machine body	Rotor Bite Limiter
Motor enclosed in the frame	Sonic System (BL4/EX/SONIC)
Poly Chain® belt transmission	

### OPTIONS

160/108cc variable torque hydraulic piston motor (235-300 L/min) (BL4/EX/VT)	Front fixed thumb bracked
Customized setting hydraulic motor (BL4/EX/VT)	Hydraulic thumb
Hydraulic front hood for excavator AUX line (BL4/EX/VT)	Customized attachment bracket with pins
Additional reinforced side plates	

MODEL	BL4/EX/VT 125	BL4/EX/VT 150	BL4/EX/SONIC 125	BL4/EX/SONIC 150
<b>Flow rate</b> (L/min)	145-300	145-300	145-300	145-300
<b>Pressure</b> (bar)	220-350	220-350	220-350	220-350
<b>Excavator weight</b> (t)	18-25	18-25	18-25	18-25
<b>Working width</b> (mm)	1347	1587	1347	1587
<b>Weight</b> (kg)	1550	1650	1550	1650
<b>Rotor diameter</b> (mm)	472	472	472	472
<b>Max shredding diameter</b> (mm)	300	300	300	300
<b>No. blades</b> type BL + C/3/SS	20+2	24+2	20+2	24+2

Data refers to machine as standard. The technical data in this catalogue may be altered without prior notice.

### ROTOR TYPE BL



**BL BLADE**  
(standard)



**C/3/SS**  
(side scraper)



## NEW SONIC SYSTEM

### FORESTRY MULCHERS FOR EXCAVATORS

# UML/S/EX/VT - UML/S/EX/SONIC

## Forestry mulcher with fixed tooth rotor for excavators.

Specifically developed for excavators ranging from 18 - 25 tons. Using key design features, such as interchangeable counter-blades and other engineering advantages, it approaches the performance levels of our largest model the UMM/EX.

Furthermore, the VT automatic variable displacement hydraulic motor increases efficiency. This allows the machine to carry out complex operations effortlessly while working on sides of the roads, along river banks and on steep slopes.



Sonic System



145-300 L/min



Ø 30 cm max



18-25 t



**Forged and hardened bolt-in interchangeable counter-blades** for the maximum duration



**Oversized hubs and bearings**

**Hydraulic controlled hood**

revolutionary system for door opening/closing that prevents dirt from entering into the service areas of the machine

**Diverter valve** to control the opening and closing of the hydraulic door (UML/S/EX/SONIC)



#### Sonic System

is a new automatic intelligent system that manages the hydraulic transmission. It makes the mulching machine to perform at the maximum capacity in all conditions (UML/S/EX/SONIC)

**Motor enclosed in frame** protected from dirt and damage



#### VT motor

adjustable motor to obtain the maximum performance out of any excavator

#### Dual row protection chains

deflects debris exiting the machine, increasing safety



### STANDARD EQUIPMENT

110/60cc variable torque hydraulic piston motor (145-240 L/min) (UML/S/EX/VT)	Poly Chain® belt transmission
110cc variable torque hydraulic piston motor (145-240 L/min) (UML/S/EX/SONIC)	Bulkhead for hydraulic connections
Flow control system valve	Hydraulic front hood
Diverter valve (UML/S/EX/SONIC)	Inner anti wear clad plates FCP
Safety and anticavitation valve	Screwed protection chains
Enclosed / anti dust machine body	Interchangeable counterblades
Motor enclosed in the frame	Sonic System (UML/S/EX/SONIC)

### OPTIONS

160/108cc variable torque hydraulic piston motor (235-300 L/min) (UML/S/EX/VT)	Customized attachment bracket with pins
Customized setting hydraulic motor (UML/S/EX/VT)	Customized attachment bracket with pins and leg
Diverter valve (UML/S/EX/VT)	Multiple tooth options
Additional reinforced side plates	Rotor Bite Limiter

MODEL	UML/S/EX/VT 125	UML/S/EX/VT 150	UML/S/EX/SONIC 125	UML/S/EX/SONIC 150
<b>Flow rate</b> (L/min)	145-300	145-300	145-300	145-300
<b>Pressure</b> (bar)	220-350	220-350	220-350	220-350
<b>Excavator weight</b> (t)	18-25	18-25	18-25	18-25
<b>Working width</b> (mm)	1347	1587	1347	1587
<b>Weight</b> (kg)	1450	1550	1450	1550
<b>Rotor diameter</b> (mm)	450	450	450	450
<b>Max shredding diameter</b> (mm)	300	300	300	300
<b>No. teeth</b> type C/3+C/3/SS	26+4	32+4	26+4	32+4
type I+C/3/SS	36+2	42+2	36+2	42+2

Data refers to machine as standard. The technical data in this catalogue may be altered without prior notice.

### MAIN OPTIONS



**Rotor with Bite Limiter technology** maximum productivity using the least amount of power



**Diverter valve** to control the opening and closing of the hydraulic door (UML/S/EX/VT)



**Additional reinforced side plates** for extreme conditions



**Customized attachment bracket**

#### ROTOR TYPE C



**C/3** (standard)



**C/3/HD** (option)



**BL BLADE** (option)



**K/3** (option)

#### ROTOR TYPE BL



**BL BLADE** (option)

#### ROTOR TYPE I



**I** (option)



**C/3/SS** (side scraper)



## NEW SONIC SYSTEM

### FORESTRY MULCHERS FOR EXCAVATORS

# BL5/EX/VT - BL5/EX/SONIC

The mulcher for largest excavators, with Bite Limiter technology.

The BL5/EX for 24-36 ton excavators, mulches vegetation up to 40 cm in diameter and has a working width of 160 cm. This head is ideal for handling and removing vegetation in wooded areas, especially when a large shredding capacity and fast operational speed is required. The rotor with Bite Limiter technology

comes with special wear-resistant steel limiters that limit the teeth's reach. This cuts down on power demand, promotes a consistent working speed, optimizes fuel consumption and ensures excellent performance when mulching any kind of wood.

-  Sonic System
-  180-300 L/min
-  Ø 40 cm max
-  24-36 t



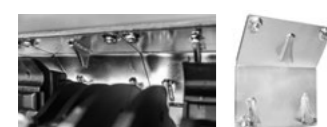
**VT motor**  
adjustable motor to obtain the maximum performance out of any excavator

**Diverter valve**  
for hydraulic control of the hood

**Poly-Chain® belt drive transmission**  
optimal power transfer



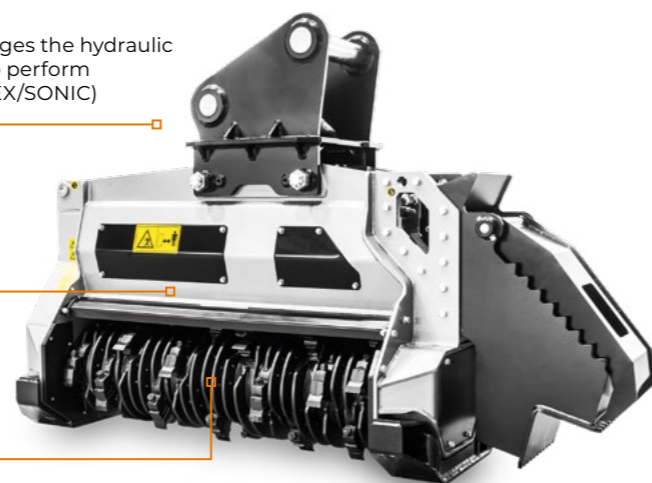
**Sonic System**  
is a new automatic intelligent system that manages the hydraulic transmission. It makes the mulching machine to perform at the maximum capacity in all conditions (BL5/EX/SONIC)



**Spike PRO counter-blades**  
for finer mulched material



**Rotor with Bite Limiter technology**  
maximum productivity using the least amount of power



## MAIN OPTIONS



**Thumb bracket with hydraulic thumb**  
for handling material

## STANDARD EQUIPMENT

160/108cc variable torque hydraulic piston motor (180-300 L/min) (BL5/EX/VT)	Hydraulic front hood
160cc variable torque hydraulic piston motor (180-300 L/min) (BL5/EX/SONIC)	Dedicated rear hood (deflector)
Flow control system valve	Adjustable skirts
Diverter valve	Additional reinforced side plates
Safety and anticavitation valve	Front fixed thumb bracked
Enclosed / anti dust machine body	Spike Pro counter-blade
Motor enclosed in the frame	Rotor Bite Limiter
Poly Chain® Belt Transmission	Sonic System (BL5/EX/SONIC)
Bulkhead for hydraulic connections	

## OPTIONS

Customized setting hydraulic motor (BL5/EX/VT)	Hydraulic thumb
Hydraulic front hood for excavator AUX line (BL5/EX/VT)	Customized attachment bracket with pins

MODEL	BL5/EX/VT* 150	BL5/EX/SONIC 150
<b>Flow rate</b> (L/min)	180-300	180-300
<b>Pressure</b> (bar)	240-350	240-350
<b>Excavator weight</b> (t)	24-36	24-36
<b>Working width</b> (mm)	1584	1584
<b>Weight</b> (kg)	2375	2375
<b>Rotor diameter</b> (mm)	517	517
<b>Max shredding diameter</b> (mm)	400	400
<b>No. teeth</b> type BL+C/3/SS	26+2	26+2

Data refers to machine as standard. The technical data in this catalogue may be altered without prior notice.  
\*Variable displacement hydraulic motor.

## ROTOR TYPE BL



**BL BLADE**  
(standard)



**C/3/SS**  
(side scraper)



## NEW SONIC SYSTEM

### FORESTRY MULCHERS FOR EXCAVATORS

# UMM/EX/VT - UMM/EX/SONIC UMM/EX/VT/HP - UMM/EX/HP/SONIC

The FAE forestry mulchers for the most powerful excavators.

The UMM/EX mulchers are great for mulching vegetation and trees with a max. diameter of 40 cm and are compatible with excavators from 20 to 36 t. The UMM/EX models are recommended for managing and controlling vegetation in wooded areas, maintaining

green spaces, and anywhere a large mulching capacity is required. The line offers two types of hydraulic motors - the traditional fixed-displacement piston motor and the VT model with automatic variable displacement and increased torque for the most challenging tasks.



Sonic System



130-300 L/min



Ø 40 cm max



20-36 t

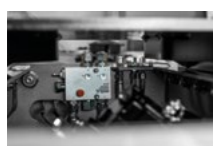


**Heavy duty steel frame**  
for maximum endurance, even during the most challenging tasks

**Bolted counter blades**  
for fine mulching and easy maintenance



**Sonic System**  
is a new automatic intelligent system that manages the hydraulic transmission. It makes the mulching machine to perform at the maximum capacity in all conditions (UMM/EX/SONIC - UMM/EX/HP/SONIC)



**Flow control valve**  
protects the hydraulic motor



**Poly Chain® belt transmission**  
for optimum power transfer (UMM/EX/VT - UMM/EX/VT/HP)

## MAIN OPTIONS



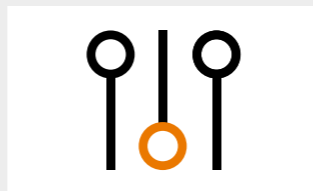
**Kit with attachment brackets and pins (customized)**



**Diverter valve for displacement control**  
to manage the opening and closing of the hydraulic hood



**Additional side reinforcement plates**  
(standard for UMM/EX/VT - UMM/EX/SONIC)



**VT Motor**  
setting customized adjustment for top performance every time

## STANDARD EQUIPMENT

110/60cc variable torque hydraulic piston motor (130-210 L/min) (UMM/EX/VT)	Poly Chain® Belt Transmission (UMM/EX/VT - UMM/EX/VT/HP)
110cc variable torque hydraulic piston motor (130-210 L/min) (UMM/EX/SONIC)	Bulkhead for hydraulic connections
160/108cc variable torque hydraulic piston motor (180-300 L/min) (UMM/EX/VT/HP)	Additional reinforced side plates (UMM/EX/VT/HP - UMM/EX/HP/SONIC)
Flow control system valve	Hydraulic rear hood
Diverter valve (UMM/EX/SONIC - UMM/EX/HP/SONIC)	Inner anti wear clad plates FCP
Safety and anticavitation valve	Screwed protection chains
Enclosed / anti dust machine body	Interchangeable counterblades
Motor enclosed in the frame	Sonic System (UMM/EX/SONIC - UMM/EX/HP/SONIC)

## OPTIONS

160/108cc variable torque hydraulic piston motor (180-300 L/min) (UMM/EX/VT 150)	Customized attachment bracket with pins
Customized setting hydraulic motor (UMM/EX/VT - UMM/EX/VT/HP)	Customized attachment bracket with pins and leg
Diverter valve (UMM/EX/VT - UMM/EX/VT/HP)	Multiple tooth options
Additional reinforced side plates (UMM/EX/VT - UMM/EX/SONIC)	

MODEL	UMM/EX/VT 125*	UMM/EX/VT 150*	UMM/EX/SONIC 125	UMM/EX/SONIC 150	UMM/EX/VT/HP 150	UMM/EX/HP/SONIC 150
<b>Flow rate</b> (L/min)	130-210	130-210	130-210	130-210	180-300	180-300
<b>Pressure</b> (bar)	240-350	240-350	240-350	240-350	240-350	240-350
<b>Excavator weight</b> (t)	20-30	20-30	20-30	20-30	30-36	30-36
<b>Working width</b> (mm)	1344	1584	1344	1584	1584	1584
<b>Weight</b> (kg)	1990	2120	1990	2120	2200	2200
<b>Rotor diameter</b> (mm)	500	500	500	500	500	500
<b>Max shredding diameter</b> (mm)	300	300	300	300	400	400
<b>No. teeth</b> type C/3+C/3/SS	26+2	32+2	26+2	32+2	32+2	32+2
type I+C/3/SS	38+2	46+2	38+2	46+2	46+2	46+2

Data refers to machine as standard. The technical data in this catalogue may be altered without prior notice.  
\*Variable displacement hydraulic motor.

## ROTOR TYPE C



**C/3**  
(standard)



**C/3/HD**  
(option)



**BL BLADE**  
(option)



**K/3**  
(option)



**I**  
(option)



**C/3/SS**  
(side scraper)



FORESTRY MULCHERS FOR EXCAVATORS

# UML/HY/RW - UML/HY/RW/VT - FML/HY/RW

Forestry mulcher with fixed tooth rotor for excavators.

The UML/HY/RW mulcher has been specifically designed for railway vehicles or other special machines. It is ideal for maintaining areas that are difficult to reach such as the embankments of railway lines.

The optimum weight, light frame and oversized rotor equipped with fixed teeth, allows for the mulching of material up to 12 cm diameter. It will mulch even with the presence of stones or rocks found near railroads.

92-180 L/min  
80-150 L/min

Ø 12 cm max

6-10 t



Steel counter-blades helps mulch material into a smaller final size



Hydraulic piston motor 63cc with relief and anticavitation valve

Motor enclosed in frame protected from dirt and damage

Swinging hammer rotor (FML/HY/RW)



## MAIN OPTIONS



Rotor with Bite Limiter technology maximum productivity using the least amount of power



Customized setting hydraulic motor

## STANDARD EQUIPMENT

32/65cc variable manual displacement hydraulic piston motor with relief and anticavitation valve (92-180 L/min) (UML/HY/RW - FML/HY/RW)	Belt transmission
55/38cc variable torque hydraulic piston motor (95-135 L/min) (UML/HY/RW/VT)	Bulkhead for hydraulic connections
Flow control system valve	Hydraulic rear hood
Safety and anticavitation valve	Screwed protection chains
Enclosed / anti dust machine body	Welded counterblades
Motor enclosed in the frame	

## OPTIONS

Customized setting hydraulic motor	Multiple tooth options
Rotor Bite Limiter	

MODEL	UML/HY/RW 125	UML/HY/RW 150	UML/HY/RW/VT 125	UML/HY/RW/VT 150	FML/HY/RW 125	FML/HY/RW 150
Flow rate (L/min)	92-180	92-180	90-135	90-135	80-150	80-150
Pressure (bar)	220-250	220-250	220-350	220-350	220-250	220-250
Excavator weight (t)	6-10	6-10	6-10	6-10	6-10	6-10
Working width (mm)	1342	1582	1342	1582	1342	1582
Weight (kg)	680	750	680	750	550	590
Rotor diameter (mm)	420	420	420	420	425	425
Max shredding diameter (mm)	120	120	120	120	120	120
No. teeth type C/3+C/3/SS	26+2	32+2	26+2	32+2	-	-
type I+C/3/SS	36+2	42+2	36+2	42+2	-	-
No. hammers type FML	-	-	-	-	20	24

Data refers to machine as standard. The technical data in this catalogue may be altered without prior notice.

## ROTOR TYPE C



C/3 (standard)



C/3/HD (option)



BL BLADE (option)

## ROTOR TYPE BL



BL BLADE (option)

## ROTOR TYPE I



I (option)



C/3/SS (side scraper)



HAMMER FML (standard)



# STUMP CUTTERS FOR EXCAVATORS

Our professional, hydraulic driven excavator stump cutters can be utilized for easy and quick removal of stumps.



**SCL/HY**  
Disc stump cutters for excavators.



**SCL/EX/VT**  
Disc stump cutters for excavators.



**SCM/EX/VT**  
Disc stump cutters for excavators.





# IT REACHES AND OVERCOMES OBSTACLES.

MODEL	1 - 10 t	10 - 25 t
SCL/HY	4 - 7,5 t	
SCL/EX/VT	7 - 15 t	
SCM/EX/VT		14 - 24 t



## STUMP CUTTERS FOR EXCAVATORS

# SCL/HY

### Disc stump cutters for excavators.

The SCL/HY is a new compact stump cutter for removing individual stumps in forests, parks, roadside and on river banks. Its smaller size makes it very easy to maneuver and suitable for small and midsize excavators (4 to 7.5 t). The piston engine (with manually controlled variable displacement) makes it easy to use on different excavators with different oil flow rates. The SCL/HY has a disc stump

cutter with type L fixed teeth, making it possible to cut stumps solely through the lateral movement of the head rather than through difficult maneuvering of the excavator. Additionally, the hydraulically adjustable front hood with 12 V diverter valve and the integrated bracket on the machine body make milling work very easy. It comes equipped with a belt transmission and various easily replaceable components.



50-100 L/min



4-7,5 t



**Hydraulic front hood**  
reduces the ejection of mulched material at all operating depths

**Interchangeable attachable protection chains**  
limit mulched material output

**Thumb bracket**  
useful in moving material to be mulched



**Disc stump cutter**



### MAIN OPTIONS



**Customized Attachment bracket**

### STANDARD EQUIPMENT

32/65cc variable manual displacement hydraulic piston motor with relief and anticavitation valve	Belt transmission
Flow control system valve	Bulkhead for hydraulic connections
Diverter valve (plug & play)	Hydraulic front hood
Safety and anticavitation valve	Front fixed thumb bracketed
Enclosed / anti dust machine body	Screwed protection chains
Motor enclosed in the frame	

### OPTIONS

Customized setting hydraulic motor	Customized attachment bracket with pins
------------------------------------	---

### MODEL

	SCL/HY
<b>Flow rate</b> (L/min)	50-100
<b>Pressure</b> (bar)	180-350
<b>Excavator weight</b> (t)	4-7,5
<b>Disc diameter</b> (mm)	570
<b>Total width</b> (mm)	600
<b>Weight</b> (kg)	460
<b>Rotor diameter</b> (mm)	570
<b>No. teeth</b> type L1+L2	15+15

Data refers to machine as standard. The technical data in this catalogue may be altered without prior notice.

### DISC ROTOR



L1  
(standard)



L2  
(standard)




## STUMP CUTTERS FOR EXCAVATORS

# SCL/EX/VT

### Disc stump cutters for excavators.

The SCL/EX/VT is for excavators ranging from 7 to 15 t. Thanks to the heavy duty and larger disk, stump removal is made easier in any situation;

even when using medium and small size excavators. This unit is compact, high performing and is equipped with a hydraulic door to control the exit of debris.

 105-170 L/min

 7-15 t



Access panel

VT motor

adjustable motor to obtain the maximum performance from any excavator, protected from dirt and damage



Front hydraulic hood with bolt-on chains

Motor enclosed in frame protected from dirt and damage



Adjustable supporting service stand for storing the machine when not in use

#### STANDARD EQUIPMENT

110/60cc variable torque hydraulic piston motor (105-170 L/min)	Poly Chain® belt transmission
Flow control system valve	Bulkhead for hydraulic connections
Safety and anticavitation valve	Hydraulic front hood
Enclosed / anti dust machine body	Screwed protection chains
Motor enclosed in the frame	Supporting service leg

#### OPTIONS

80/50cc variable torque hydraulic piston motor (75-120 L/min)	Front fixed thumb bracked
Customized setting hydraulic motor	Customized attachment bracket with pins
Diverter valve (plug & play)	Customized attachment bracket with pins and leg

#### MODEL

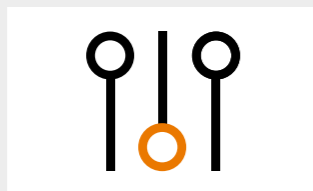
	SCL/EX/VT
Flow rate (L/min)	105-170
Pressure (bar)	180-350
Excavator weight (t)	7-15
Total width (mm)	770
Weight (kg)	755
Rotor diameter (mm)	660
No. teeth type L1+L2+L3+L4	12+3+12+3

Data refers to machine as standard. The technical data in this catalogue may be altered without prior notice.

#### MAIN OPTIONS



Front fixed thumb



Customized setting hydraulic motor



Customized attachment bracket with fixed thumb



Customized attachment bracket

#### DISC ROTOR



L1 (standard)



L3 (standard)



L4 (standard)



L2 (standard)



## STUMP CUTTERS FOR EXCAVATORS

# SCM/EX/VT

### Disc stump cutters for excavators.

The SCM/EX/VT is designed to remove stumps quickly and easily. The front hood with hydraulic adjustment and front fixed thumb are designed to shift previously cut material. This feature combined with the

reliability and resistance of the disc allows for the best performance and safety while the stumps are being removed.



130-185 L/min



14-24 t



Access panel

VT motor  
to increase performance  
and reduce operating costs



Front hydraulic hood with bolt-on chains/protection plates



Motor enclosed in frame  
protected from dirt and damage

Adjustable supporting service stand  
for storing the machine when not in use

#### STANDARD EQUIPMENT

160/108cc variable torque hydraulic piston motor	Bulkhead for hydraulic connections
Flow control system valve	Hydraulic front hood
Safety and anticavitation valve	Screwed protection chains
Enclosed / anti dust machine body	Bolt-on chains / protection plates
Motor enclosed in the frame	Supporting service leg
Poly Chain® belt transmission	

#### OPTIONS

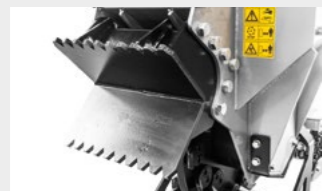
Customized setting hydraulic motor	Customized attachment bracket with pins
Diverter valve (plug & play)	Customized attachment bracket with pins and leg
Front fixed thumb bracked	

#### MODEL

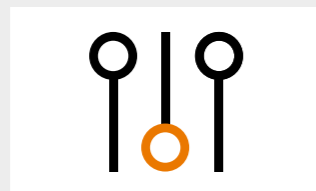
	SCM/EX/VT
Flow rate (L/min)	130-185
Pressure (bar)	220-350
Excavator weight (t)	14-24
Total width (mm)	780
Weight (kg)	1100
Rotor diameter (mm)	790
No. teeth type M1+M2+M3+M4	12+3+12+3

Data refers to machine as standard. The technical data in this catalogue may be altered without prior notice.

#### MAIN OPTIONS



Front fixed thumb



Customized setting hydraulic motor



Customized attachment bracket with fixed thumb



Customized attachment bracket

#### DISC ROTOR



M1  
(standard)



M3  
(standard)



M4  
(standard)

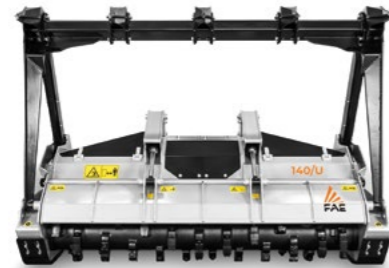


M2  
(standard)



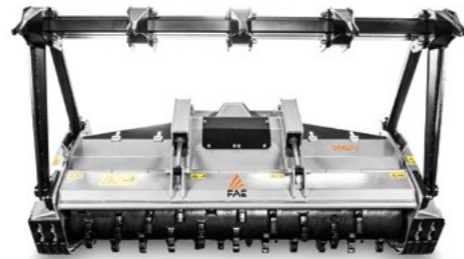
# FORESTRY MULCHERS FOR SPECIAL VEHICLES

Our forestry mulchers have been created for special carriers in line with the specific requirements of the customer. They are utilized for the maintenance and reclamation of forest and agricultural land.



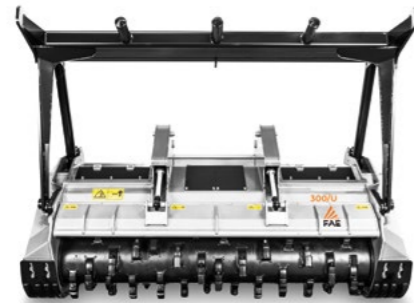
## 140/U

Heavy duty hydraulic mulcher for higher horse power carriers.



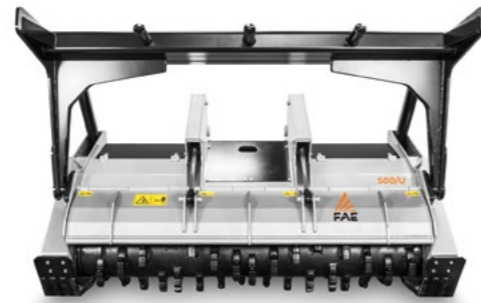
## 200/U

Heavy duty hydraulic mulcher for higher horse power carriers.



## 300/U

Heavy duty hydraulic mulcher for higher horse power carriers.



## 500/U

Heavy duty hydraulic mulcher for higher horse power carriers.





# DESIGNED AND BUILT FOR YOU.

MODEL	100 - 200 hp	200 - 300 hp	300 - 400 hp	400 - 500 hp	500 - 600 hp
<b>140/U</b>	150 - 220 hp				
<b>200/U</b>		180 - 300 hp			
<b>300/U</b>			300 - 450 hp		
<b>500/U</b>				400 - 600 hp	



FORESTRY MULCHERS FOR SPECIAL VEHICLES

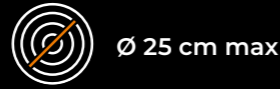
# 140/U

Heavy duty hydraulic mulcher for higher horse power carriers.

The 140/U is the smallest model in the product line. Its small size makes it ideal for clearing corridors in the woods for seismic surveys and oil exploration. The sturdy frame means it can be used with tracked vehicles.



150-220 hp



Ø 25 cm max



FORESTRY MULCHERS FOR SPECIAL VEHICLES

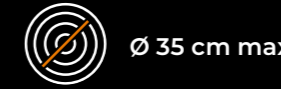
# 200/U

Heavy duty hydraulic mulcher for higher horse power carriers.

The 200/U combines compact maneuverability with the performance of larger machines. It is strong and highly productive for mulching bushes, branches and trees up to 35 cm in diameter.



180-300 hp



Ø 35 cm max



Mechanical or hydraulic push frame (optional)

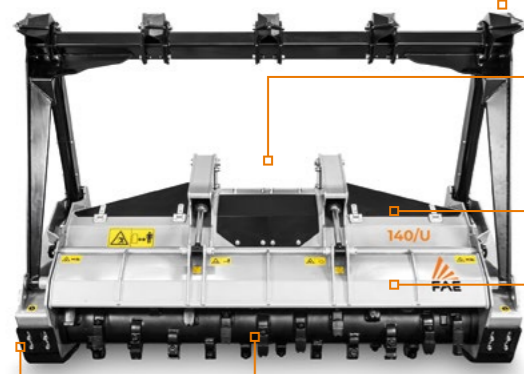
Customized attachment plates

Hydraulically controlled hood to adjust final product size

Ripper teeth on hydraulic door (optional)

Multiple tooth options

Adjustable skids



Mechanical or hydraulic push frame (optional)

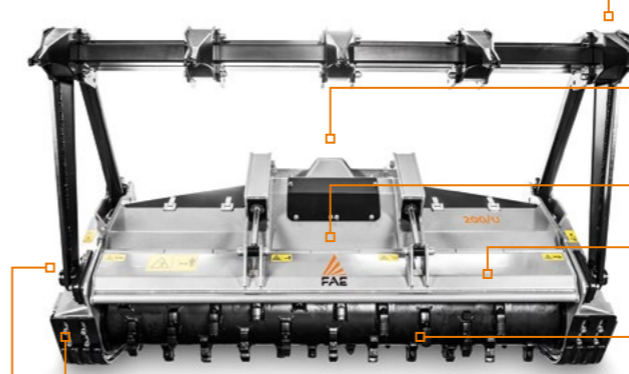
Customized attachment plates

Hydraulically controlled rear door adjust final product size while machine is working size

Ripper teeth on hydraulic door (optional)

Multiple tooth options

Adjustable skids



STANDARD EQUIPMENT

Considering the various available options and high level of customization, the final configuration will be specified upon request.

MODEL	140/U 140	140/U 150	140/U 175	140/U 200	140/U 225
Engine (hp)	150-220	150-220	150-220	150-220	150-220
Flow rate (L/min)	130-210	130-210	130-210	130-210	130-210
Pressure (bar)	250-400	250-400	250-400	250-400	250-400
Working width (mm)	1407	1587	1827	2067	2307
Total width (mm)	1751	1931	2171	2411	2651
Weight (kg)	1560	1600	1700	1800	1900
Rotor diameter (mm)	450	450	450	450	450
Max shredding diameter (mm)	250	250	250	250	250
No. teeth type C/3+C/3/SS	28+4	32+4	38+4	42+2	48+2

Data refers to machine as standard. The technical data in this catalogue may be altered without prior notice.

ROTOR TYPE C



ROTOR TYPE BL



ROTOR TYPE I



STANDARD EQUIPMENT

Considering the various available options and high level of customization, the final configuration will be specified upon request.

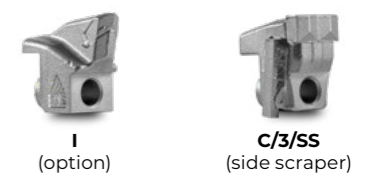
MODEL	200/U 200	200/U 210	200/U 225
Engine (hp)	180-300	180-300	180-300
Flow rate (L/min)	150-360	150-360	150-360
Pressure (bar)	250-415	250-415	250-415
Working width (mm)	2064	2150	2304
Total width (mm)	2464	2560	2704
Weight (kg)	2960	3030	3120
Rotor diameter (mm)	500	500	500
Max shredding diameter (mm)	350	350	350
No. teeth type C/3+C/3/SS	42+2	44+2	46+2

Data refers to machine as standard. The technical data in this catalogue may be altered without prior notice.

ROTOR TYPE C



ROTOR TYPE I





## FORESTRY MULCHERS FOR SPECIAL VEHICLES

# 300/U

Heavy duty hydraulic mulcher for higher horse power carriers.

The 300/U mulcher is highly productive, strong, and lightweight, with a fixed-teeth rotor that lets it mulch plants and trunks up to 40 cm in diameter. It may be customized to meet specific needs.



300-450 hp



Ø 40 cm max



## FORESTRY MULCHERS FOR SPECIAL VEHICLES

# 500/U

Heavy duty hydraulic mulcher for higher horse power carriers.

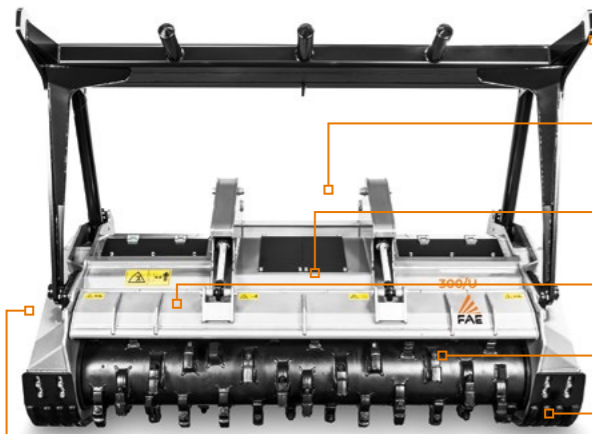
The 500/U forestry mulcher is the top of the line for special vehicles, capable of mulching logs up to 50 cm in diameter. The transmission is rated for use up to 600 hp, so it can work with the most powerful vehicles on the market.



400-600 hp



Ø 50 cm max



Mechanical or hydraulic push frame (optional)

Customized attachment plates

Hydraulically controlled hood to adjust final product size

Ripper teeth on hydraulic hood (optional)

Multiple tooth options

Adjustable skids

Customized hydraulic transmission

### STANDARD EQUIPMENT

Considering the various available options and high level of customization, the final configuration will be specified upon request.

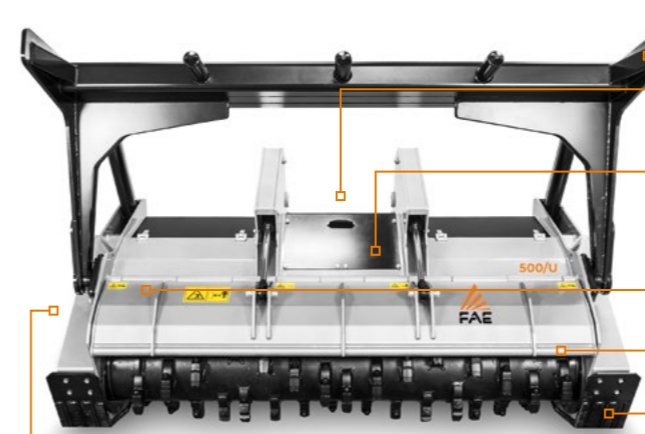
MODEL	300/U 225	300/U 250
Engine (hp)	300-450	300-450
Flow rate (L/min)	370-510	370-510
Pressure (bar)	250-415	250-415
Working width (mm)	2304	2544
Total width (mm)	2784	3024
Weight with C-type rotor (kg)	3850	4010
Weight with B-type rotor (kg)	4190	4410
Rotor diameter (mm)	595	595
Max shredding diameter (mm)	400	400
No. teeth type B/3+C/SS	80+2	92+2
type C/3+C/3/SS	50+2	56+2

Data refers to machine as standard. The technical data in this catalogue may be altered without prior notice.

### ROTOR TYPE B



### ROTOR TYPE C



Mechanical or hydraulic push frame (optional)

Customized attachment plates

Hydraulically controlled hood to adjust final product

Ripper teeth on hydraulic hood (optional)

Multiple tooth options

Adjustable skids

Customized hydraulic transmission

### STANDARD EQUIPMENT

Considering the various available options and high level of customization, the final configuration will be specified upon request.

MODEL	500/U 200	500/U 225	500/U 250
Engine (hp)	400-600	400-600	400-600
Flow rate (L/min)	600-720	600-720	600-720
Pressure (bar)	250-350	250-350	250-350
Working width (mm)	2080	2320	2560
Total width (mm)	2550	2790	3030
Weight with C-type rotor (kg)	3590	3770	3950
Weight with A-type rotor (kg)	3810	3990	4170
Rotor diameter C/3 (mm)	680	680	680
Rotor diameter A/3 (mm)	670	670	670
Max shredding diameter (mm)	500	500	500
No. teeth type A/3+MH	78+2	88+2	96+2
type C/3+C/3/SS	50+2	54+2	60+2

Data refers to machine as standard. The technical data in this catalogue may be altered without prior notice.

### ROTOR TYPE A



### ROTOR TYPE C





# FORESTRY TILLERS FOR SPECIAL VEHICLES

Our forestry tillers have been created for special carriers in line with the specific requirements of the customer. They are utilized for the maintenance and reclamation of forest and agricultural land.



## 200/S

Universal hydraulic tiller for higher horse power carriers.



## 300/S

Universal hydraulic tiller for higher horse power carriers.





# ABLE TO MEET YOUR REQUIREMENTS.

MODEL	200 - 300 hp	300 - 400 hp
<b>200/S</b>	250 - 300 hp	
<b>300/S</b>	250 - 400 hp	

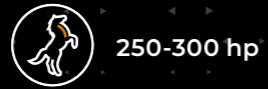


## FORESTRY TILLERS FOR SPECIAL VEHICLES

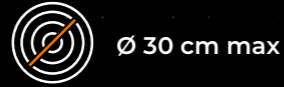
# 200/S

Universal hydraulic tiller for higher horse power carriers.

The 200/S is lightweight and comes in different widths, making it perfect for a wide range of vehicles. The gear drive lets the rotor work at a slower speed than conventional belt-driven forestry mulchers.



250-300 hp



Ø 30 cm max



Depth 30 cm



## FORESTRY TILLERS FOR SPECIAL VEHICLES

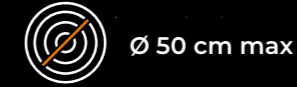
# 300/S

Universal hydraulic tiller for higher horse power carriers.

The 300/S can shred large stumps and roots up to 40 cm deep. The ample working widths make it possible to clear large surfaces and provide excellent material shredding results.



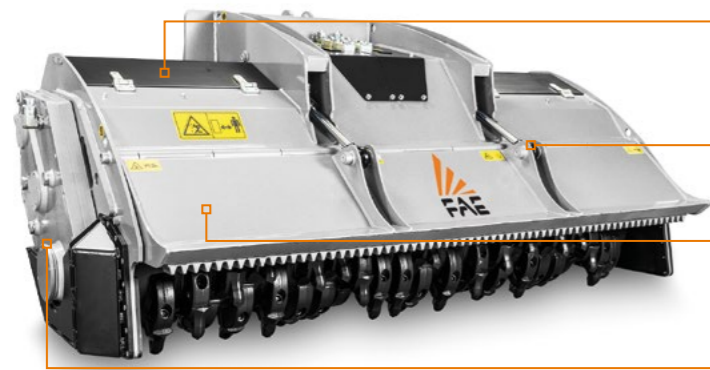
250-400 hp



Ø 50 cm max



Depth 40 cm

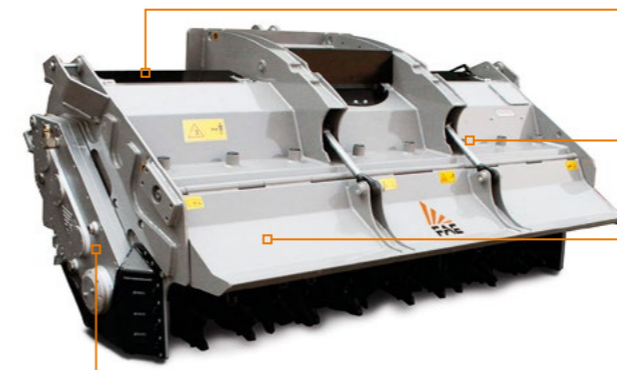


Customized attachment plate (optional)

Hydraulically controlled hood to adjust final product size

180 cc hydraulic motor

Dual transmission with side gearbox



Customized attachment plate (optional)

Hydraulically controlled hood to adjust final product size

Variable manual displacement hydraulic motor

Dual transmission with side gearbox

### STANDARD EQUIPMENT

Considering the various available options and high level of customization, the final configuration will be specified upon request.

MODEL	200/S 225	200/S 250
Engine (hp)	250-300	250-300
Flow rate (L/min)	355-410	355-410
Pressure (bar)	320-400	320-400
Working width (mm)	2320	2560
Total width (mm)	2662	2902
Weight (kg)	3162	3400
Rotor diameter (mm)	590	590
Max working depth (mm)	300	300
Max shredding diameter (mm)	300	300
No. teeth type B/3+C/SS	82+4	96+4

Data refers to machine as standard. The technical data in this catalogue may be altered without prior notice.

### ROTOR TYPE B



B/3 (standard)



G/3 (option)



G/3/HD (option)



C/SS (side scraper)

### STANDARD EQUIPMENT

Considering the various available options and high level of customization, the final configuration will be specified upon request.

MODEL	300/S 225	300/S 250
Engine (hp)	250-400	250-400
Flow rate (L/min)	500-660	500-660
Pressure (bar)	320-400	320-400
Working width (mm)	2320	2560
Total width (mm)	2670	2910
Weight (kg)	3520	3770
Rotor diameter (mm)	700	700
Max working depth (mm)	400	400
Max shredding diameter (mm)	500	500
No. teeth type A/3+MH	88+4	102+4

Data refers to machine as standard. The technical data in this catalogue may be altered without prior notice.

### ROTOR TYPE A



A/3 (standard)



A/3/HD (option)



MH (side scraper)



# STUMP CUTTERS FOR SPECIAL VEHICLES

Our hydraulic driven stump cutters for special built carriers are unbeatable in removing stumps. Easy to use, fast and precise.



## 300/SC

Hydraulic stump cutters for higher horse power carriers.



## 500/SC

Hydraulic stump cutters for higher horse power carriers.





# CREATED TO BETTER ASSIST YOUR PROJECTS.

MODEL	200 - 300 hp	300 - 400 hp	400 - 500 hp
<b>300/SC</b>	250 - 300 hp		
<b>500/SC</b>			400 - 500 hp



## STUMP CUTTERS FOR SPECIAL VEHICLES

# 300/SC

Hydraulic stump cutters for higher horse power carriers.

The 300/SC can shred large stumps and roots up to 50 cm in diameter and 100 cm deep. The belt drive guarantees uniform shredding depth and less tooth wear with every use.



250-300 hp



Ø 50 cm max



Depth 100 cm



## STUMP CUTTERS FOR SPECIAL VEHICLES

# 500/SC

Hydraulic stump cutters for higher horse power carriers.

The 500/SC can shred large stumps and roots up to 60 cm in diameter and 105 cm deep. The belt drive guarantees uniform shredding depth and less tooth wear with every use.



400-500 hp



Ø 60 cm max



Depth 105 cm

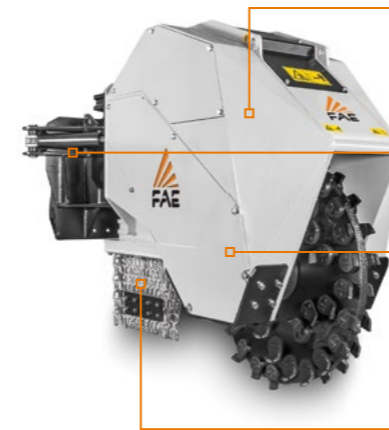


Larger cylinders for side swing

Hydraulic motor with relief valve

Single belt transmission

Bolt-on chains/protection plates deflects debris



Hydraulic motor with relief valve

Larger cylinders for side swing

Single belt transmission

Bolt-on chains/protection plates deflects debris

### STANDARD EQUIPMENT

Considering the various available options and high level of customization, the final configuration will be specified upon request.

MODEL	300/SC
Engine (hp)	250-300
Flow rate (L/min)	300-370
Pressure (bar)	350-400
Working width (mm)	156
Total width (mm)	700
Weight (kg)	2100
Rotor diameter (mm)	1020
Max working depth (mm)	1000
Max shredding diameter (mm)	500
No. teeth type M1+M2+M3+M4	24+4+24+4

Data refers to machine as standard. The technical data in this catalogue may be altered without prior notice.

### DISC ROTOR



M1 (standard)



M3 (standard)



M4 (standard)



M2 (standard)

### STANDARD EQUIPMENT

Considering the various available options and high level of customization, the final configuration will be specified upon request.

MODEL	500/SC
Engine (hp)	400-500
Flow rate (L/min)	600
Pressure (bar)	350-400
Working width (mm)	413
Total width (mm)	880
Weight (kg)	3300
Rotor diameter (mm)	1200
Max working depth (mm)	1050
Max shredding diameter (mm)	600
No. teeth type M1+M2+M3+M4	30+10+30+10

Data refers to machine as standard. The technical data in this catalogue may be altered without prior notice.

### DISC ROTOR



M1 (standard)



M3 (standard)



M4 (standard)



M2 (standard)



# MULTITASKS FOR SPECIAL VEHICLES

Designed to meet the demands of working professionals, our multitask units are designed for a multitude of applications.



## SFM/PM

Hydraulic multitask stone crusher, forestry tiller and mulcher for higher horse power carriers.



## SFH/PM

Hydraulic multitask stone crusher, forestry tiller and mulcher for higher horse power carriers.





# THREE GOALS WITH **EQUAL EFFICIENCY.**

MODEL	300 - 400 hp	400 - 500 hp
<b>SFM/PM</b>	300 - 450 hp	
<b>SFH/PM</b>	350 - 450 hp	



MULTITASKS FOR SPECIAL VEHICLES

# SFM/PM

Hydraulic multitask stone crusher, forestry tiller and mulcher.

Extremely sturdy and versatile - the multi-purpose SFM/PM head works with special vehicles up to 450 hp. It crushes stones and shreds logs or stumps up to 30 cm deep.



300-450 hp



Ø 20 cm max (Stones)  
Ø 35 cm max (Trees)  
Ø 45 cm max (Stump)



Depth 30 cm



MULTITASKS FOR SPECIAL VEHICLES

# SFH/PM

Hydraulic multitask stone crusher, forestry tiller and mulcher.

The SFH/PM head works with special vehicles up to 450 hp. It shreds logs or stumps and crushes stones up to 40 cm deep. Its double-gear transmission increases shredding power.



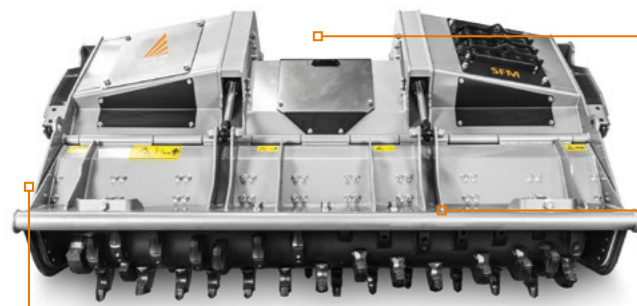
350-450 hp



Ø 35 cm max (Stones)  
Ø 45 cm max (Trees)  
Ø 55 cm max (Stump)



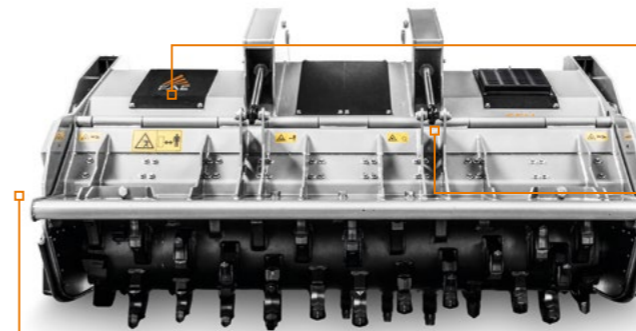
Depth 40 cm



Customized attachment plate (optional)

Hydraulically controlled hood to adjust final product

Dual transmission with side gearbox converts RPM to Power



Customized attachment plate (optional)

Hydraulically controlled hood to adjust final product

Dual transmission with side gearbox converts RPM to Power

### STANDARD EQUIPMENT

Considering the various available options and high level of customization, the final configuration will be specified upon request.

MODEL	SFM/PM 200	SFM/PM 225	SFM/PM 250
Engine (hp)	300-450	300-450	300-450
Flow rate (L/min)	350-390	350-390	350-390
Pressure (bar)	350-400	350-400	350-400
Working width (mm)	2070	2310	2550
Total width (mm)	2380	2620	2860
Weight (kg)	3800	4100	4400
Rotor diameter (mm)	700	700	700
Max working depth (mm)	300	300	300
Max shredding diameter			
Stones (mm)	200	200	200
Trees (mm)	350	350	350
Stump (mm)	450	450	450
No. teeth type F3+STC/3/FP	50+6	58+6	62+6

Data refers to machine as standard. The technical data in this catalogue may be altered without prior notice.



F/3 (standard)



STC/3/FP (side scraper)

### STANDARD EQUIPMENT

Considering the various available options and high level of customization, the final configuration will be specified upon request.

MODEL	SFH/PM 225	SFH/PM 250
Engine (hp)	350-450	350-450
Flow rate (L/min)	470-530	470-530
Pressure (bar)	350-415	350-415
Working width (mm)	2320	2560
Total width (mm)	2710	2950
Weight (kg)	5600	5900
Rotor diameter (mm)	900	900
Max working depth (mm)	400	400
Max shredding diameter		
Stones (mm)	350	350
Trees (mm)	450	450
Stump (mm)	550	550
No. teeth type G3+STC/FP	62+8	68+8

Data refers to machine as standard. The technical data in this catalogue may be altered without prior notice.

### ROTOR TYPE G



G/3 (standard)



G/3/HD (option)



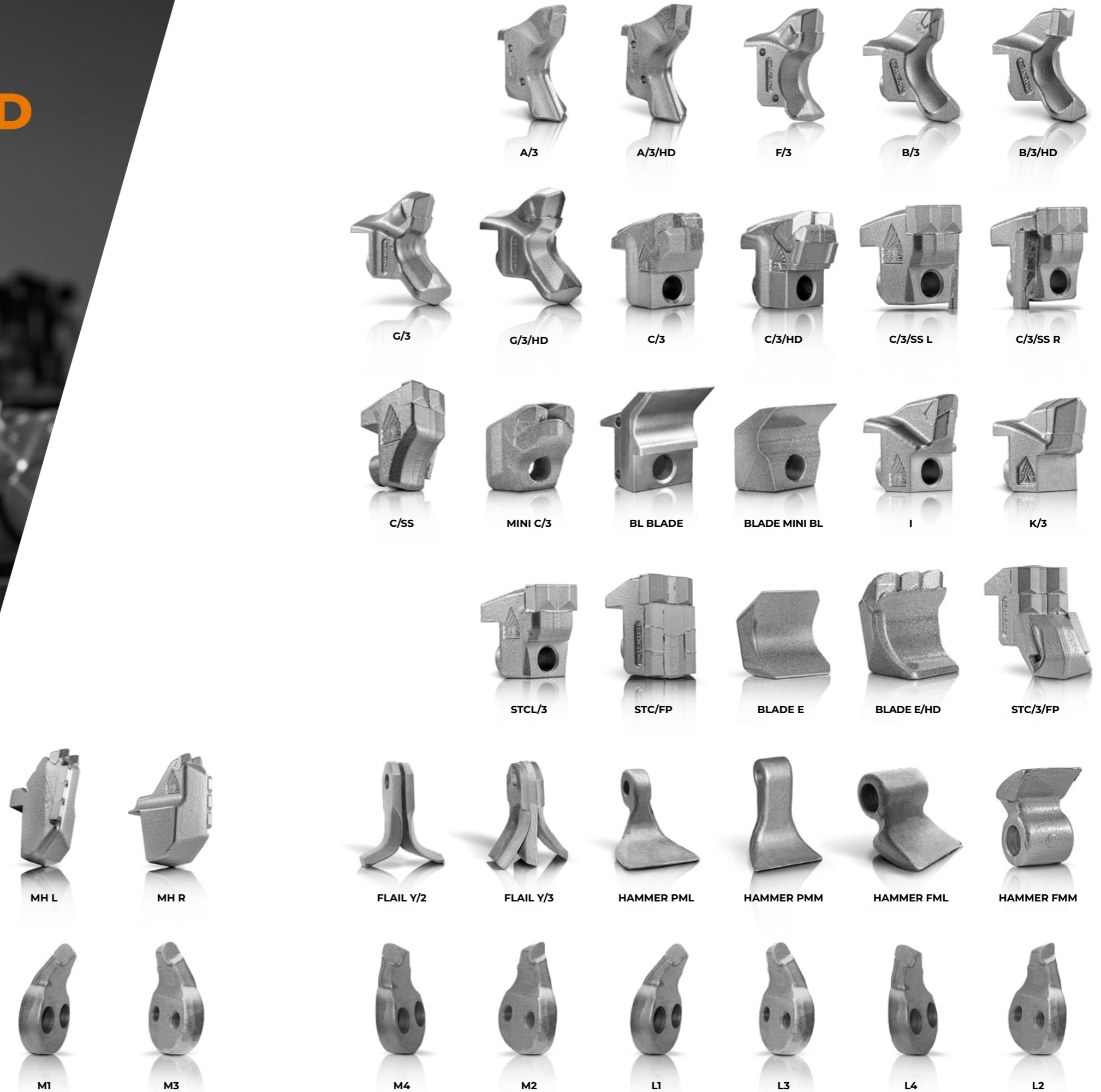
STC/FP (side scraper)



Original FAE tools

OFTEN COPIED

NEVER DUPLICATED



The technical data in this catalog may be altered without prior notice.  
The information and images in this document are not binding.  
The weight is approximate and refers to machine without options.  
The data in this catalog must be confirmed by the sales department.  
Photographs may include accessories and equipment  
not supplied as standard. FAE GROUP S.p.A. reserves  
the right to make changes at any time, without prior warning.



[www.titan.com.hr](http://www.titan.com.hr)

[fae-group.com](http://fae-group.com)